

ALUMINIUM PATIO SYSTEMS

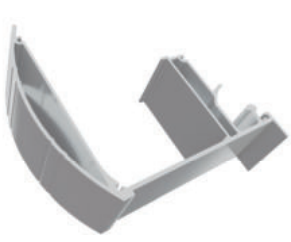
www.pbforeigntrade.com



MROUND **M**FLAT **M**CUBE **M**THERMO



▶ MROUND



01 - Groove Profile



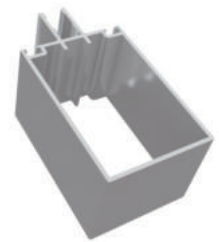
02 - Wall Profile



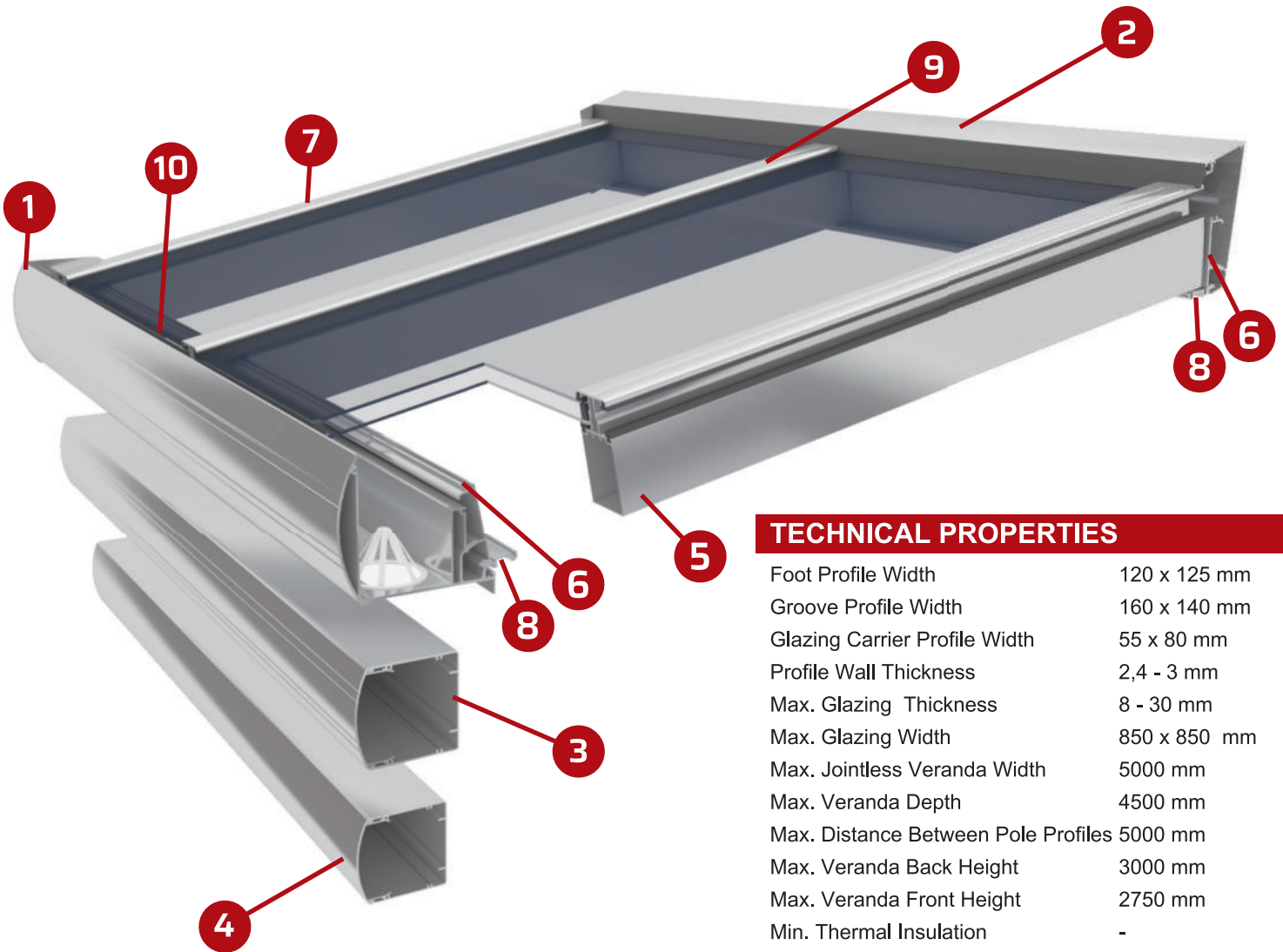
03 - Foot Profile



04 - Foot Cover Profile



05 - Carrier Profile



TECHNICAL PROPERTIES

Foot Profile Width	120 x 125 mm
Groove Profile Width	160 x 140 mm
Glazing Carrier Profile Width	55 x 80 mm
Profile Wall Thickness	2,4 - 3 mm
Max. Glazing Thickness	8 - 30 mm
Max. Glazing Width	850 x 850 mm
Max. Jointless Veranda Width	5000 mm
Max. Veranda Depth	4500 mm
Max. Distance Between Pole Profiles	5000 mm
Max. Veranda Back Height	3000 mm
Max. Veranda Front Height	2750 mm
Min. Thermal Insulation	-

APPLICATION OPTIONS

- Groove Reinforcement
- Carrier Reinforcement
- Straight Veranda (Joint - Jointless)
- L Type Veranda



11 - Gaskets





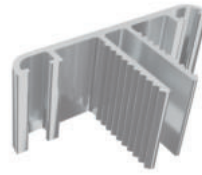
06 - Angle Profile



07 - Side Cover Profile



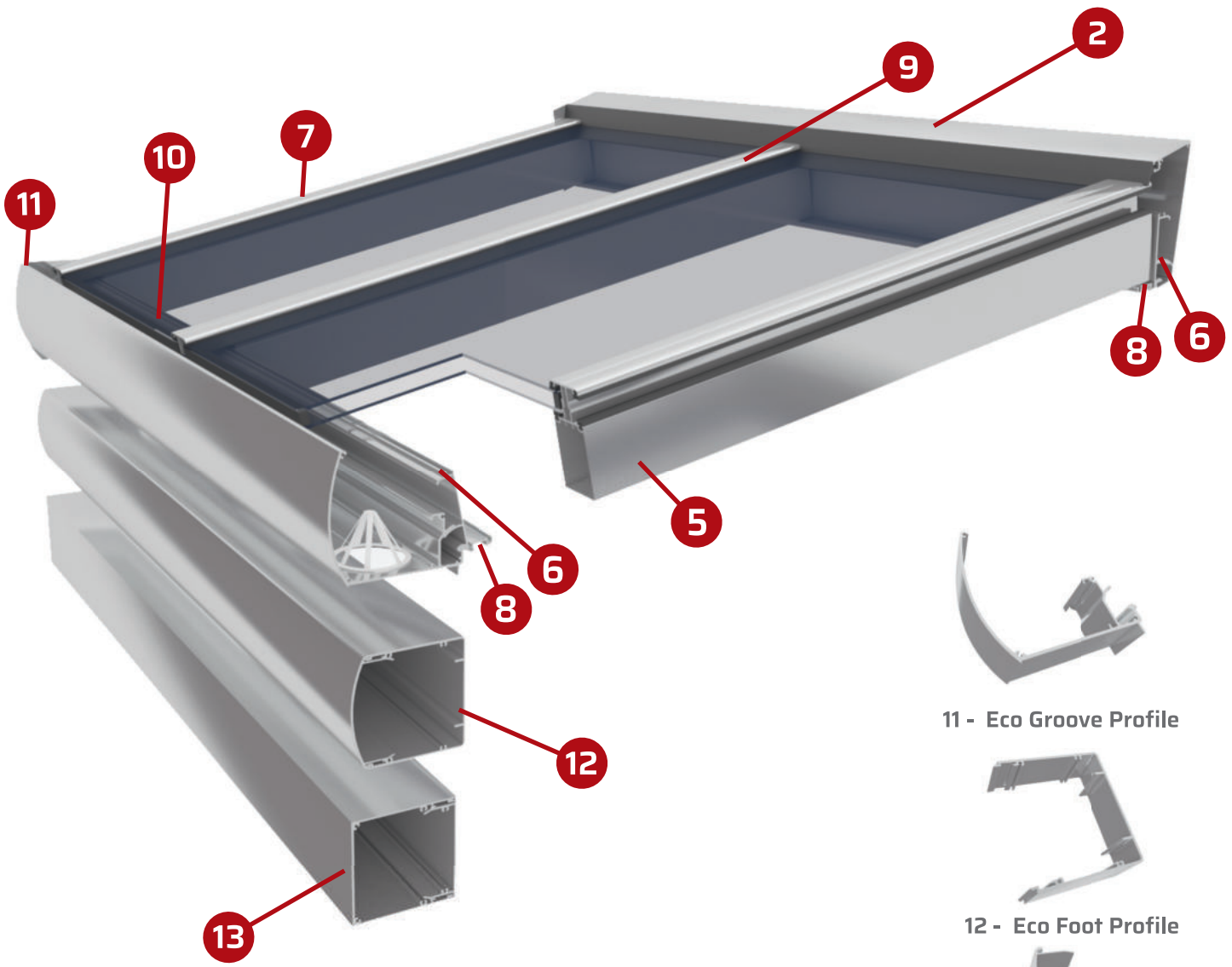
08 - Angle Cover Profile



09 - Middle Cover Profile



10 - Polycarbon Profile

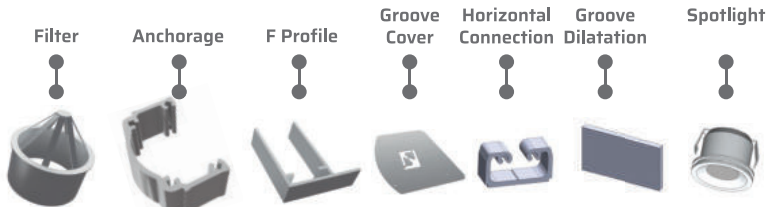


11 - Eco Groove Profile

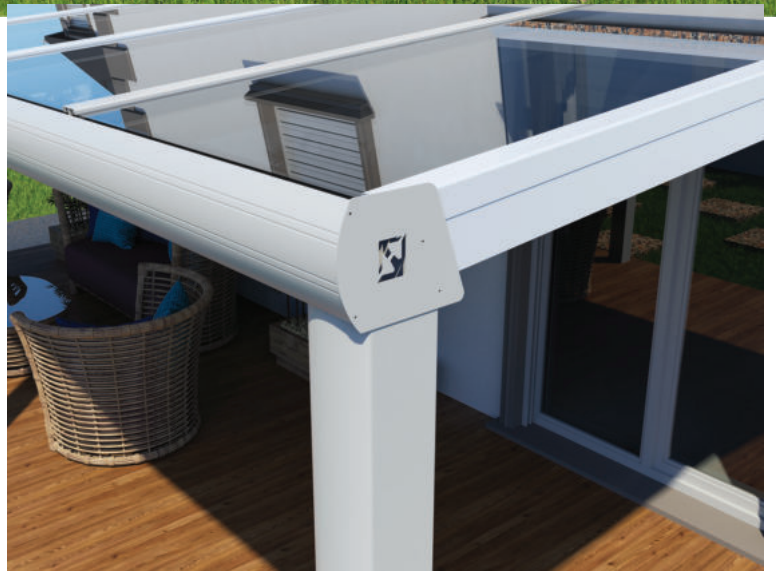
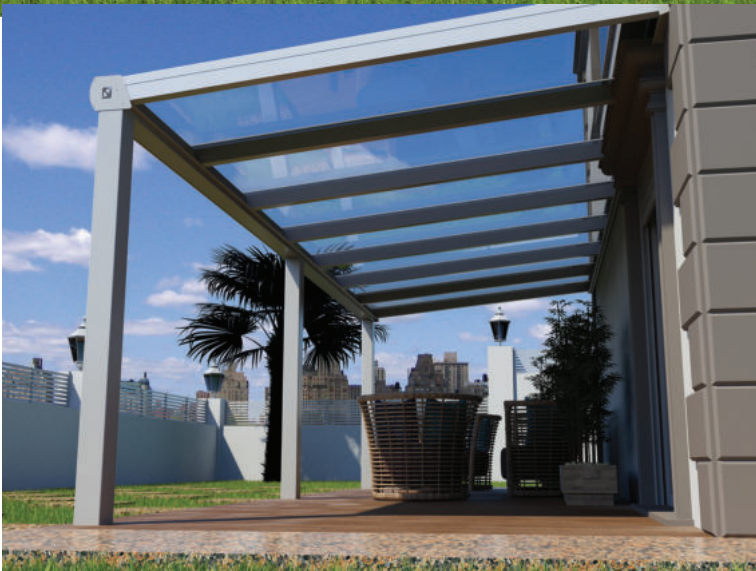
12 - Eco Foot Profile

13 - Eco Foot Cover Profile

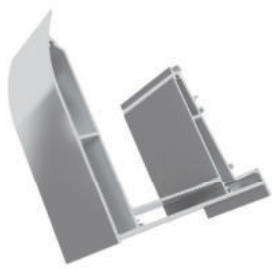
Complementary Products







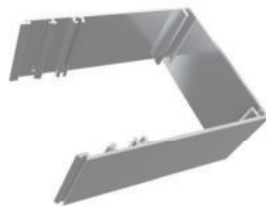
MFLAT



01 - Groove Profile



02 - Wall Profile



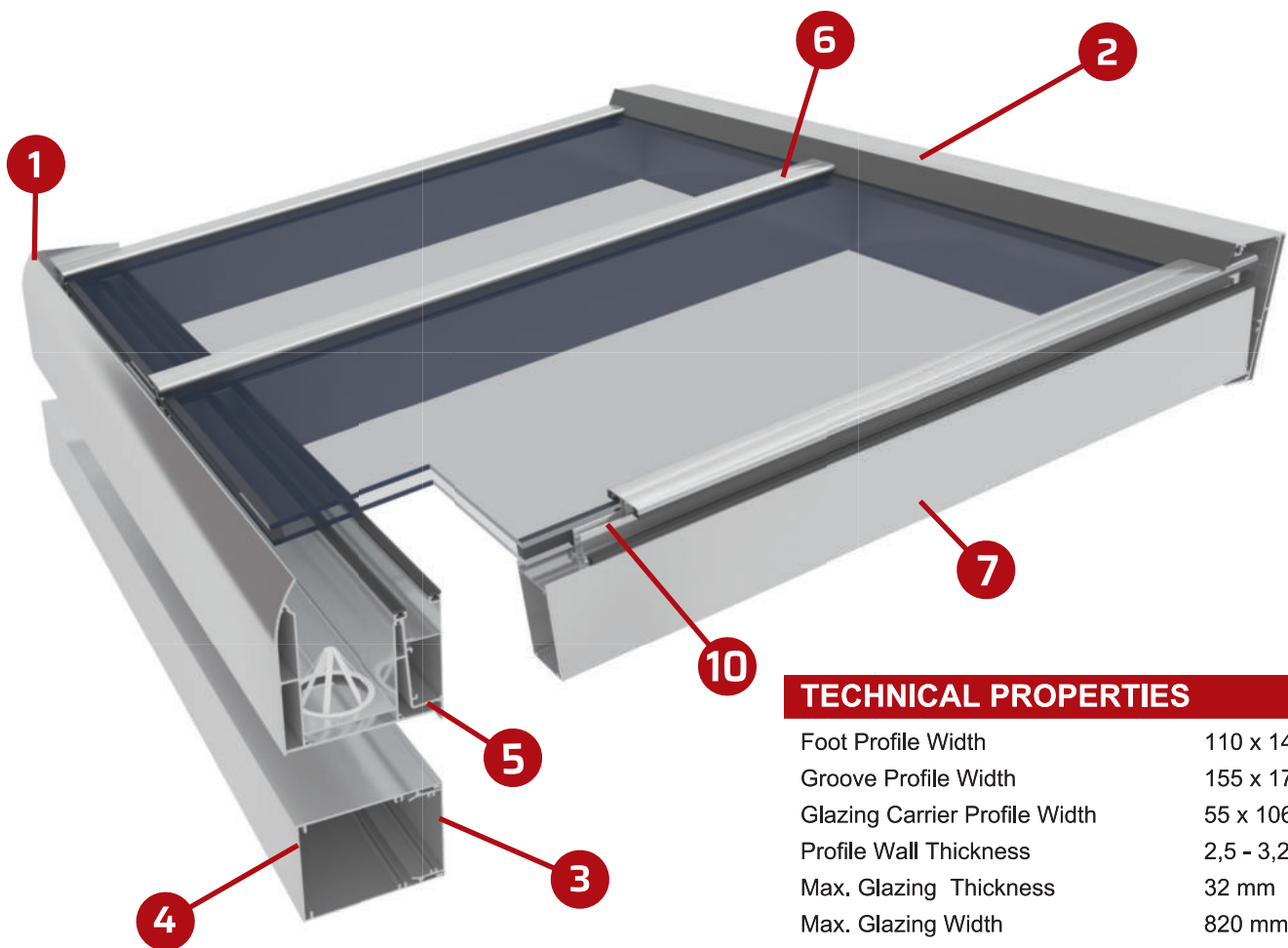
03 - Foot Profile



04 - Foot Cover Profile



05 - Angle Profile

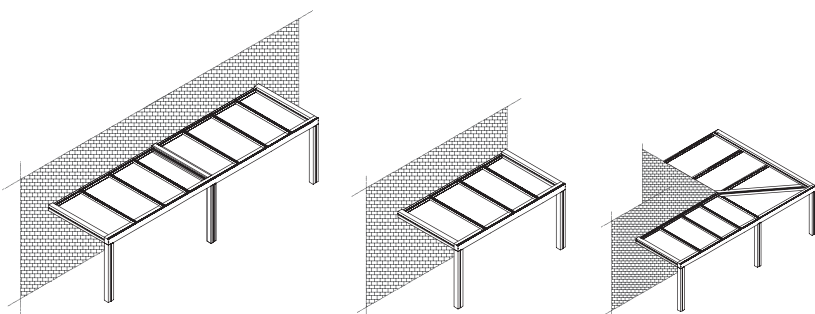


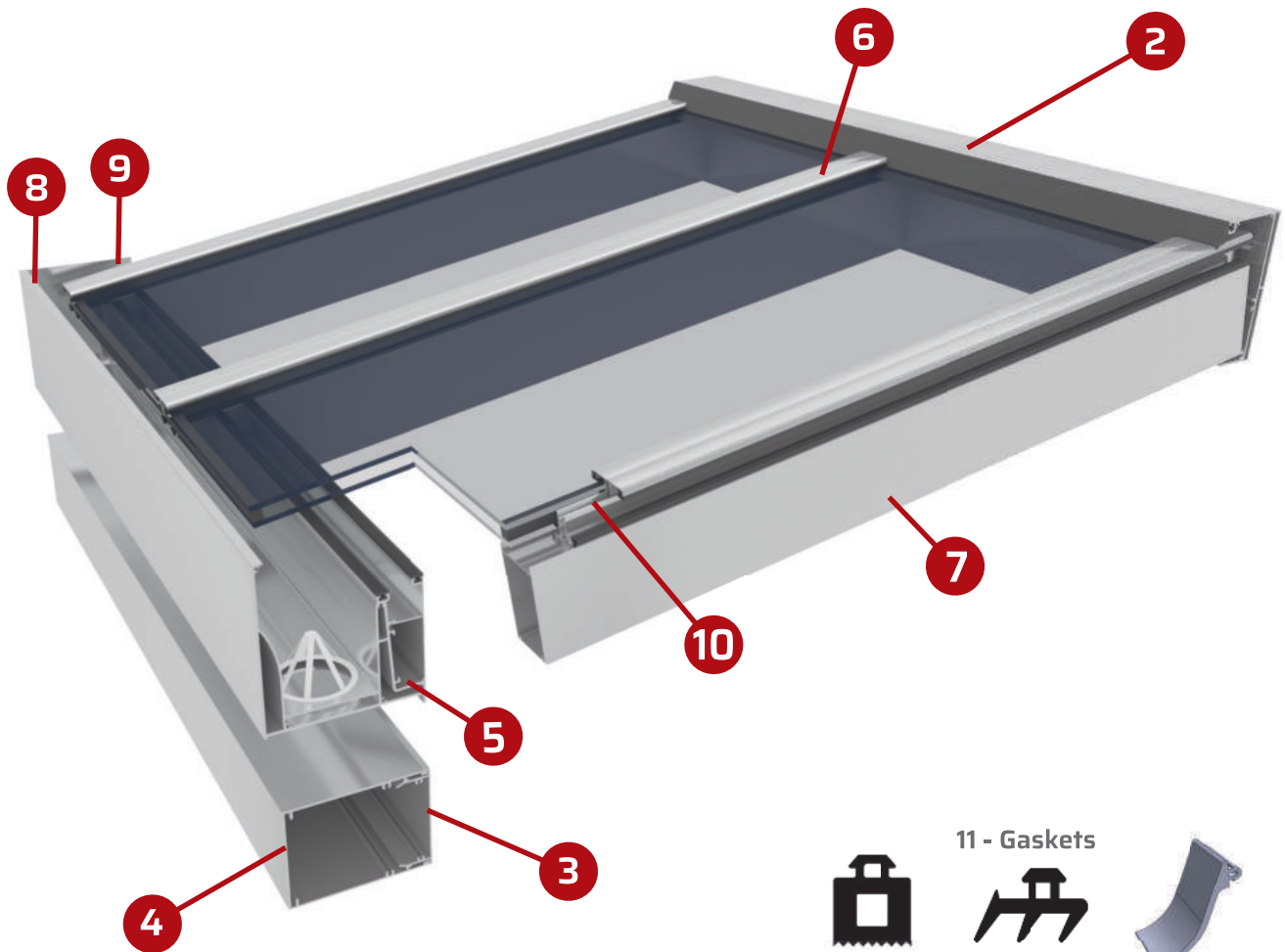
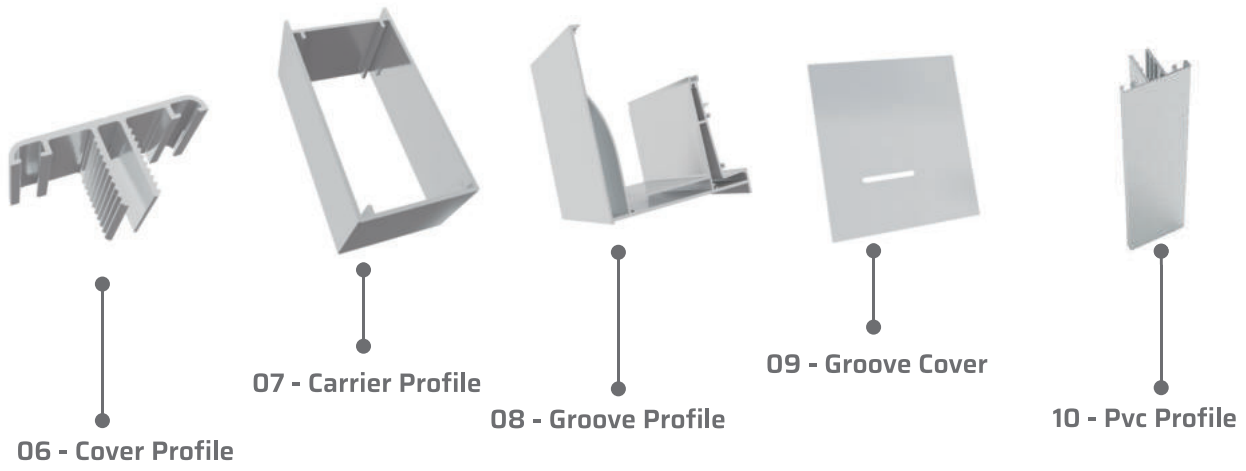
TECHNICAL PROPERTIES

Foot Profile Width	110 x 143 mm
Groove Profile Width	155 x 170 mm
Glazing Carrier Profile Width	55 x 106 mm
Profile Wall Thickness	2,5 - 3,2 mm
Max. Glazing Thickness	32 mm
Max. Glazing Width	820 mm
Max. Jointless Veranda Width	7000 mm
Max. Veranda Depth	5200 mm
Max. Distance Between Pole Profiles	6000 mm
Max. Veranda Back Height	3000 mm
Max. Veranda Front Height	2750 mm
Min. Thermal Insulation	-

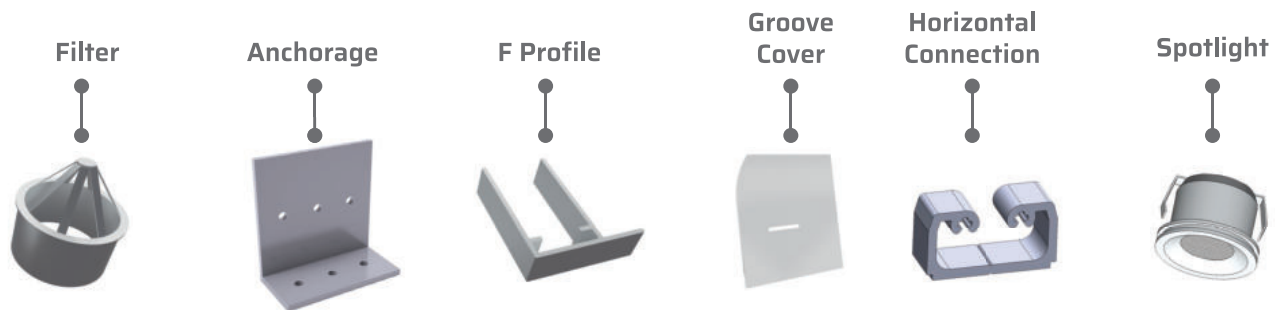
APPLICATION OPTIONS

- Groove Reinforcement
- Carrier Reinforcement
- Straight Veranda (Joint - Jointless)
- L Type Veranda



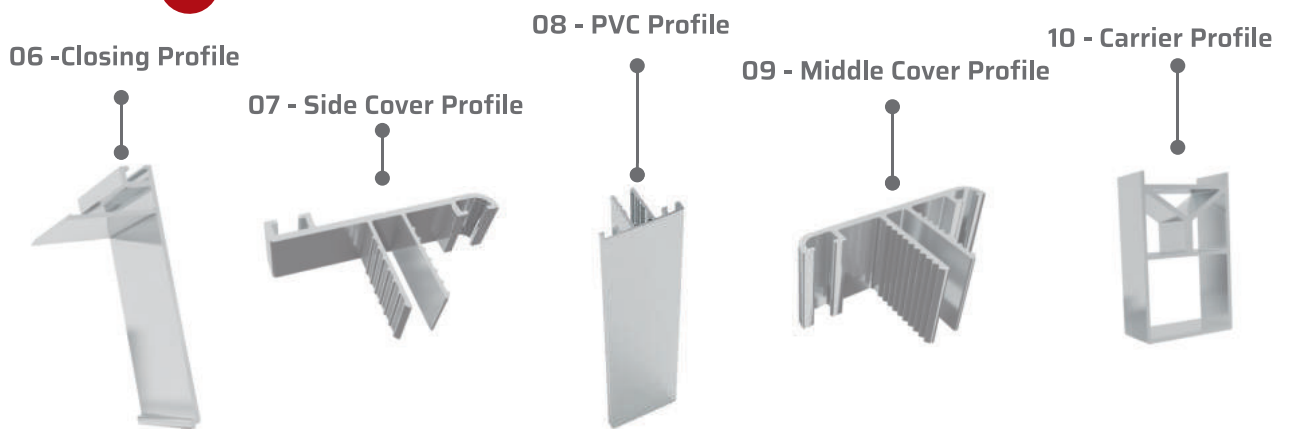
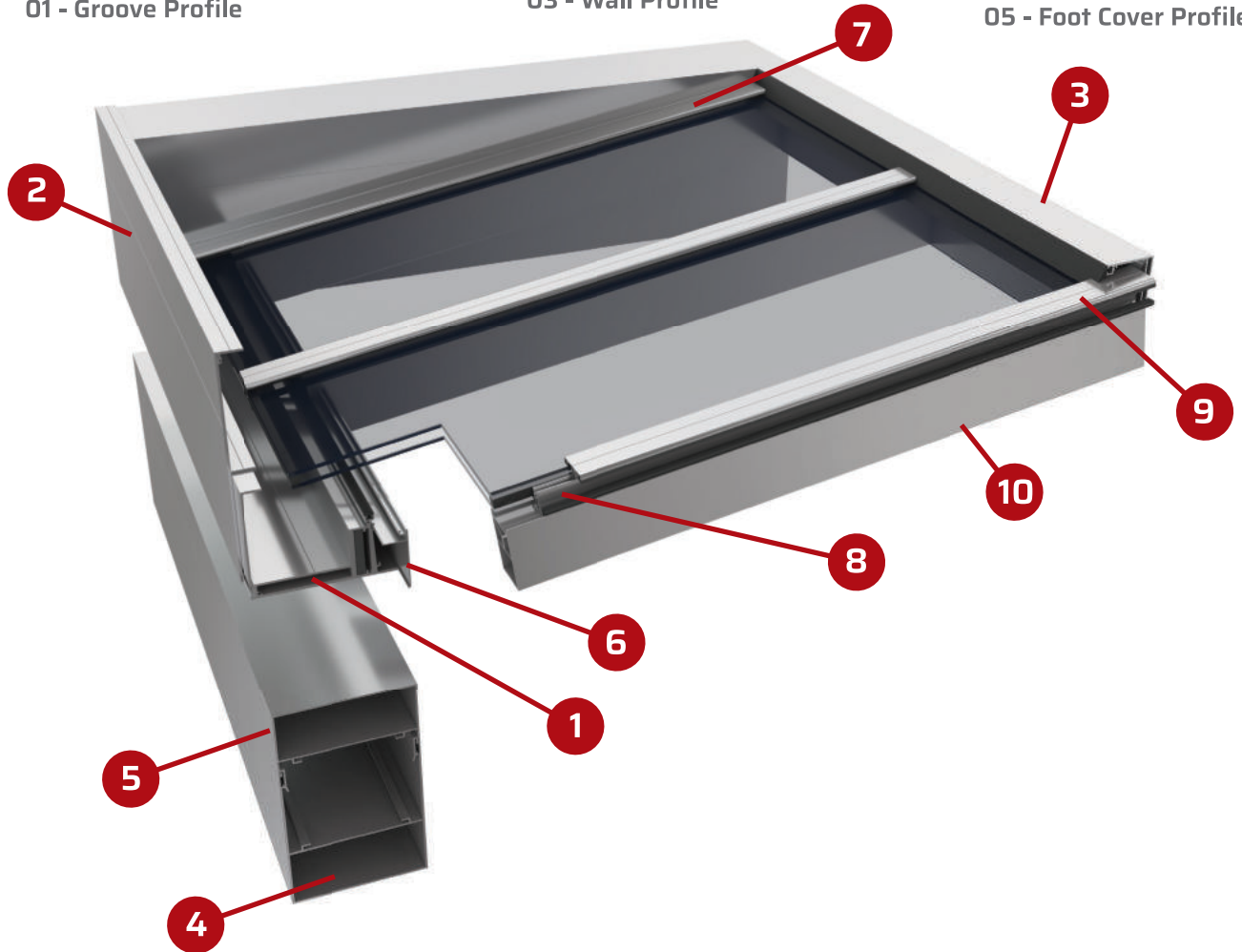
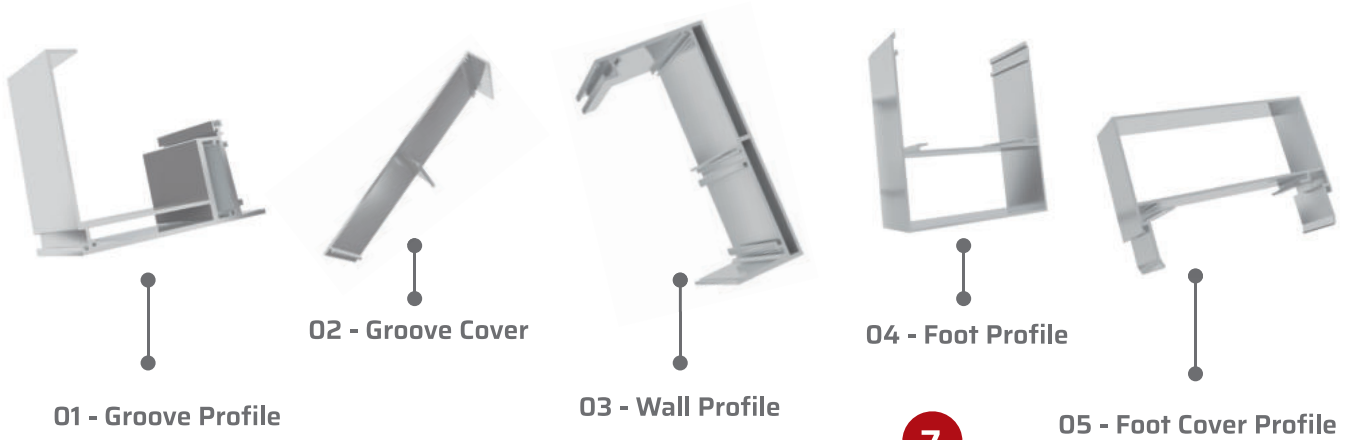


COMPLEMENTARY PRODUCTS











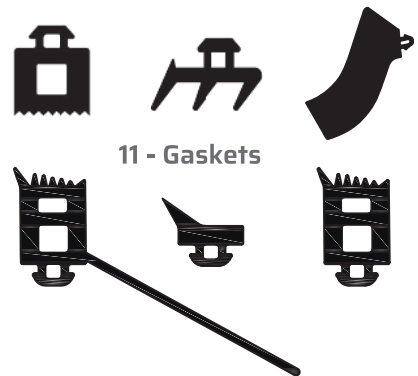
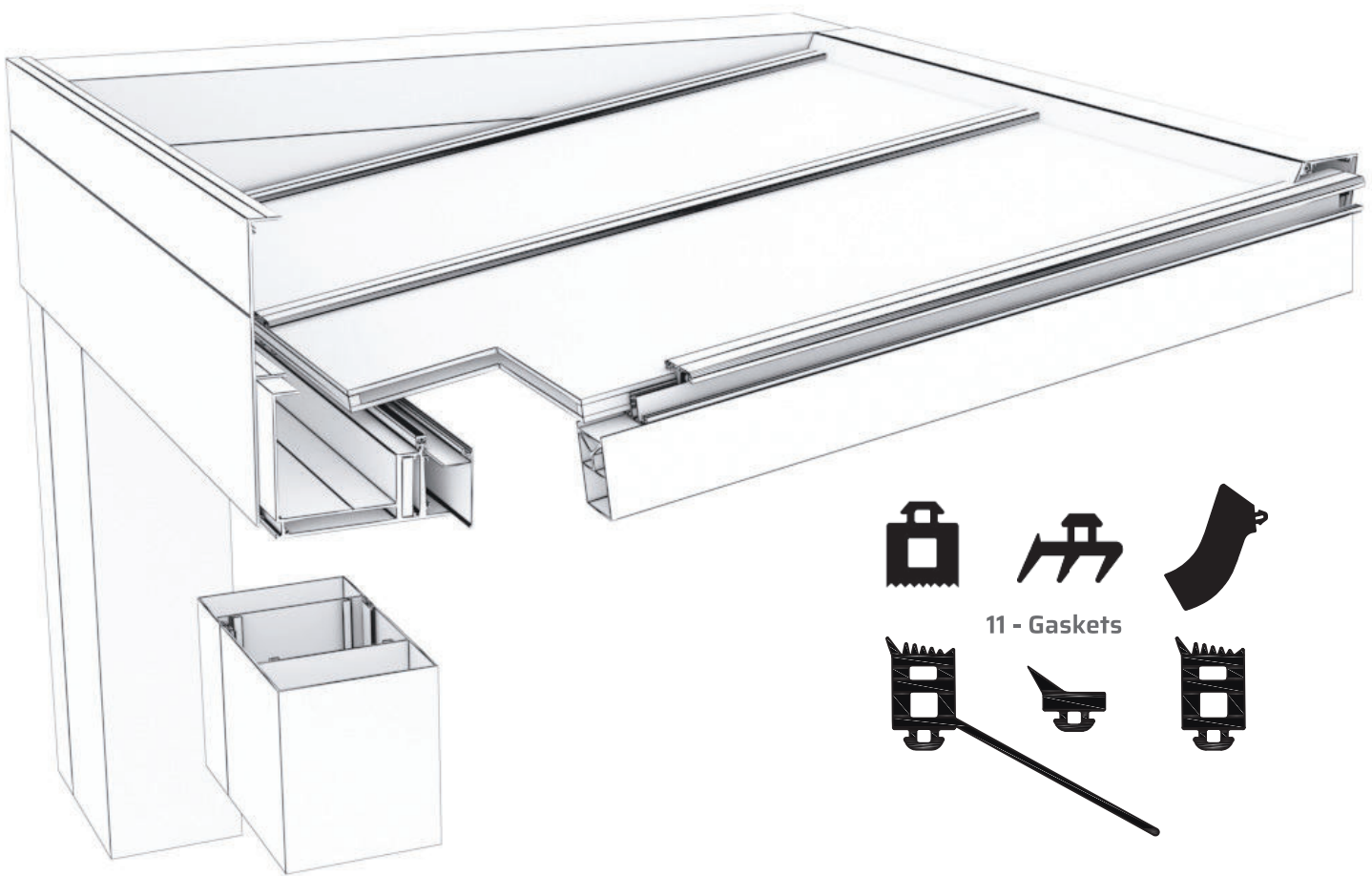


TECHNICAL PROPERTIES

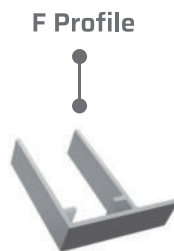
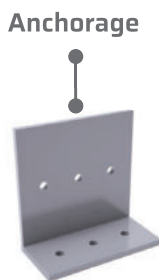
Foot Profile Width	185 x 300 mm
Groove Profile Width	190 x 306 mm
Glazing Carrier Profile Width	55 x 106 mm
Profile Wall Thickness	4 - 10 mm
Max. Glazing Thickness	32 mm
Max. Glazing Width	820 mm
Max. Jointless Veranda Width	7000 mm
Max. Veranda Depth	5500 mm
Max. Distance Between Pole Profiles	7000 mm
Max. Veranda Back Height	3000 mm
Max. Veranda Front Height	3000 mm

APPLICATION OPTIONS

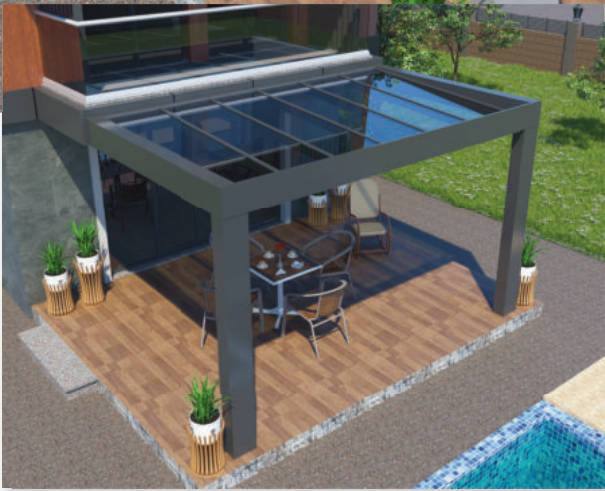
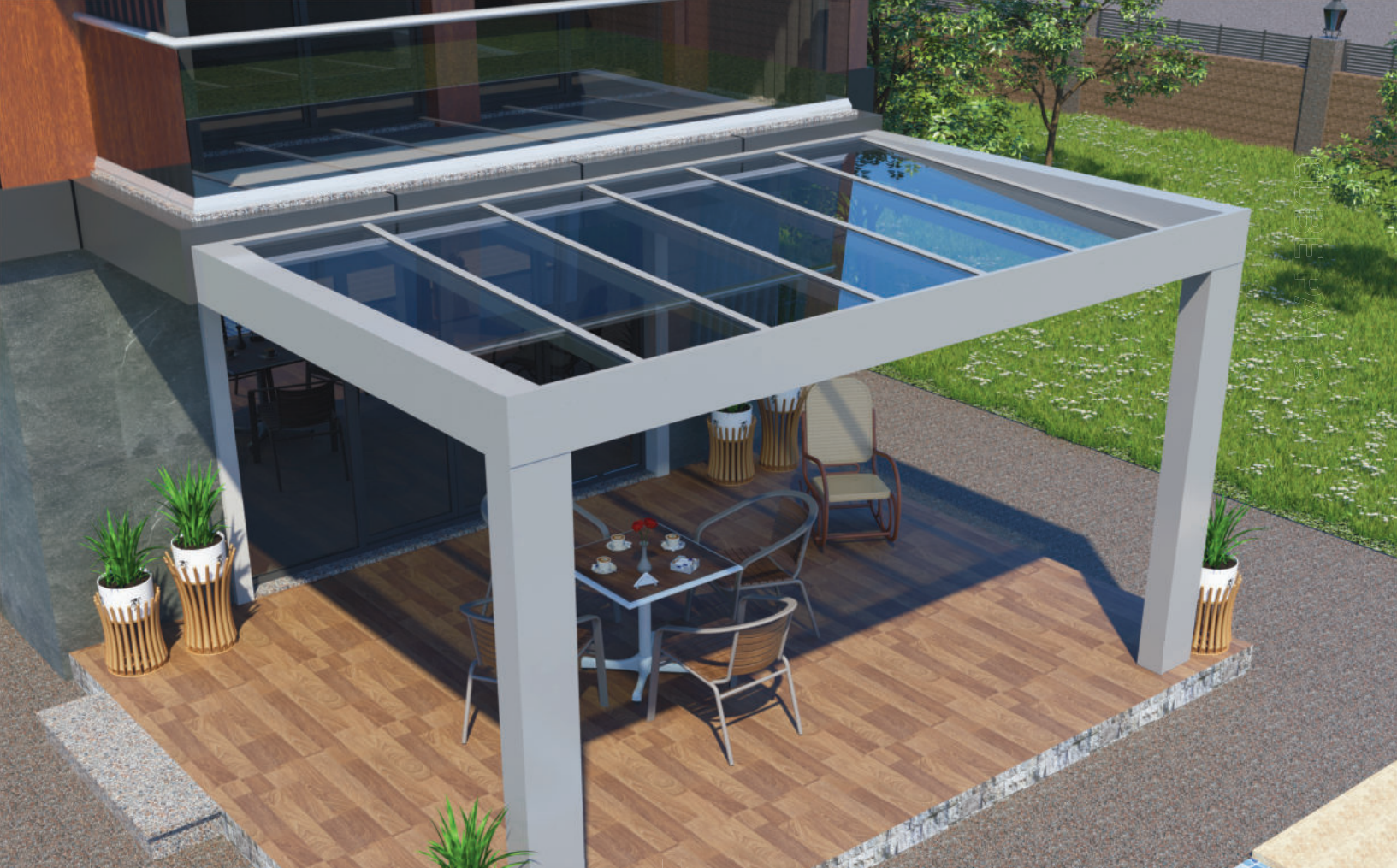
Groove Reinforcement	
Carrier Reinforcement	
Straight Veranda (Joint - Jointless)	
L Type Veranda	



COMPLEMENTARY PRODUCTS









01 - Groove Profile



02 - Groove Intermediate Profile



03 - Groove Cover



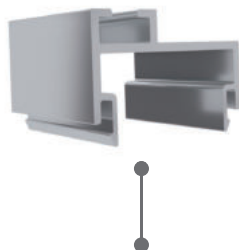
04 - Carrier Profile



05 - Carrier End Profile



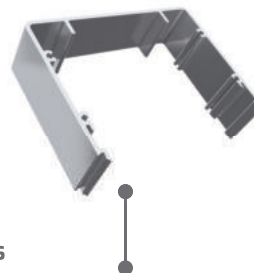
14 - Angle Profile



15 - Intermediate Profile



16 - Connection Apparatus



17 - Water Drain Foot



18 - Water Drain Foot Cover



06 - Carrier Cover



07 - Medium Carrier



08 - Horizontal Carrier



09 - Side Carrier Profile



10 - Side Carrier Cover

TECHNICAL PROPERTIES

Foot Profile Width	123 mm
Groove Profile Width	104 mm
Glazing Carrier Profile Width	82-113 mm
Profile Wall Thickness	1,5 - 3 mm
Max. Glazing Thickness	32 mm
Max. Glazing Width	820 mm
Max. Jointless Veranda Width	4500 mm
Max. Veranda Depth	3500 mm
Max. Distance Between Pole Profiles	4500 mm
Max. Veranda Back Height	3000 mm
Max. Veranda Front Height	2500 mm
Min. Thermal Insulation	Uf: 1,85 W/(m ² .K)



11 - 90 Degree Foot Profile







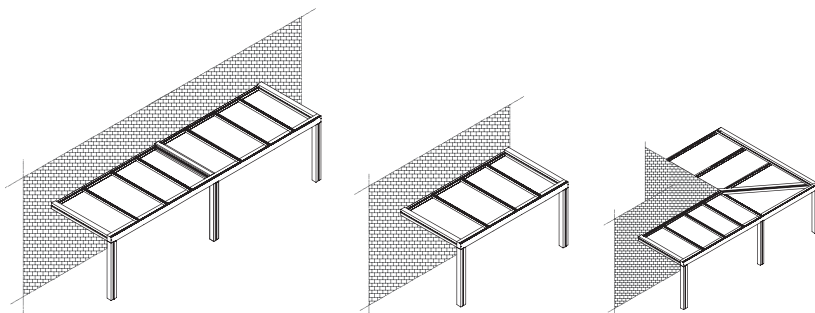
12 - Wall Connection Profile



13 - Wall Cover Profile

APPLICATION OPTIONS

- Groove Reinforcement 
- Carrier Reinforcement 
- Straight Veranda (Joint - Jointless) 
- L Type Veranda 



Complementary Products

Filter



Anchorage



Spotlight



Gaskets



