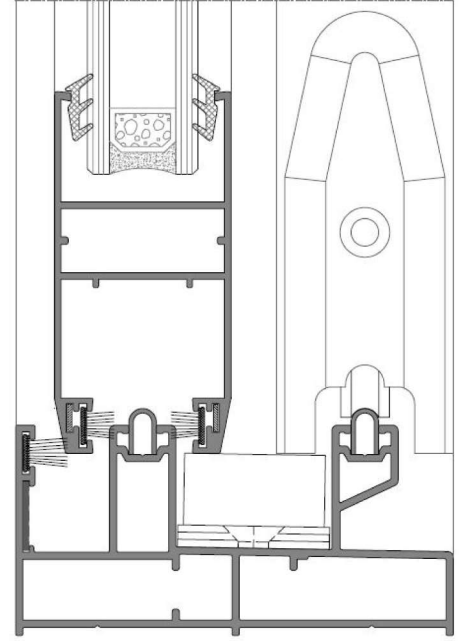


Sürme Sistemi
Sliding System



S32HL

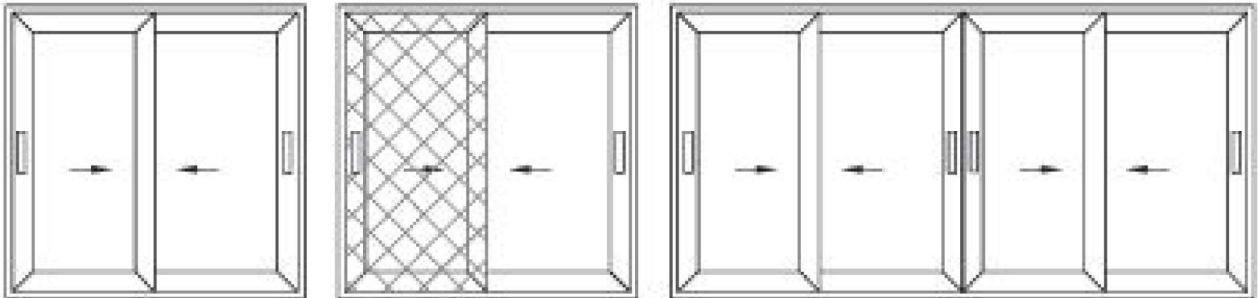
Çelik Raylı Sürme Sistemi
Steel Rail Sliding System



TEKNİK ÖZELLİKLER / TECHNICAL PROPERTIES

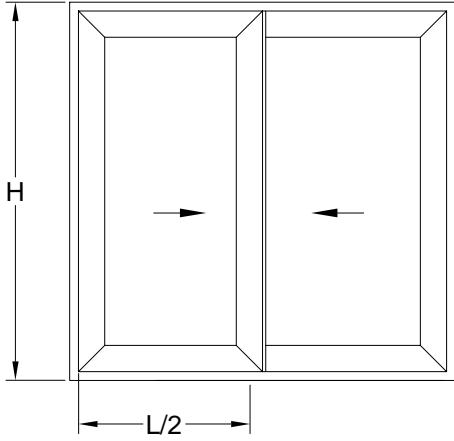
KASA DERİNLİĞİ / FRAME DEPTH	79,3 - 102,6 mm
KANAT DERİNLİĞİ / SASH DEPTH	32 mm
KENET DERİNLİĞİ / INTERLOCKING DEPTH	72 mm
PROFİL ET KALINLIĞI / PROFILE WALL THICKNESS	1,3 mm
MİN. CAM KALINLIĞI / MIN. GLAZING THICKNESS	4 mm
MAKS. CAM KALINLIĞI / MAX. GLAZING THICKNESS	20 mm
MİN. KANAT ÖLÇÜLERİ / MIN. SASH DIMENSIONS	600 x 1000 mm
MAKS. KANAT ÖLÇÜLERİ / MAX. SASH DIMENSIONS	1200 x 2200 mm
MAKS. KANAT AĞIRLIĞI / MAX. SASH WEIGHT	90 kg

UYGULAMA SEÇENEKLERİ / APPLICATION OPTIONS



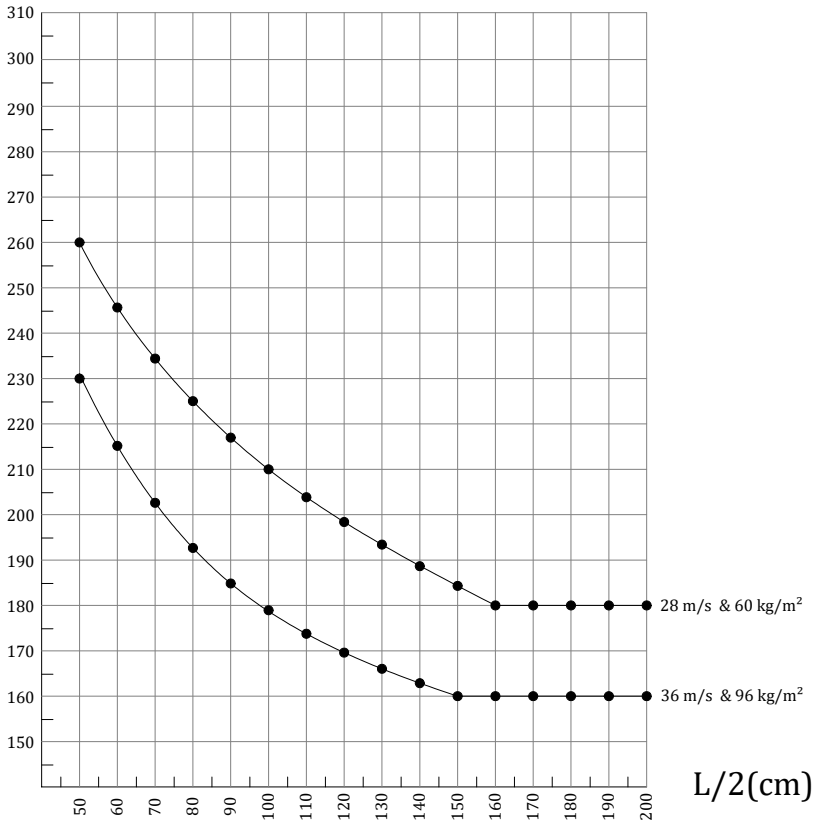


RÜZGAR YÜKÜNE GÖRE KULLANIM L M TLER GRAF

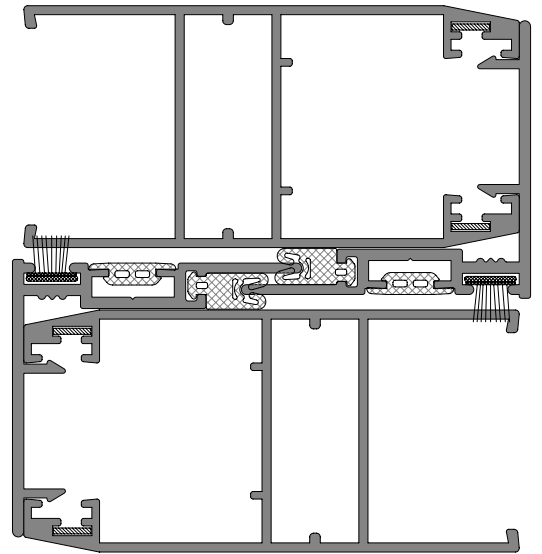


Max. Sehim : $L / 300$

H(cm)



L/2(cm)



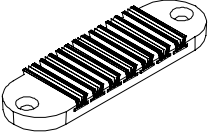
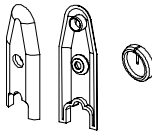

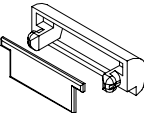
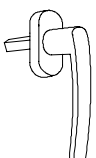

Jx : 13,14 cm⁴

PROF L KES T PROFILE SECTION	PROF L KODU PROFILE CODE	PROF L ADI PROFILE NAME	Jx cm ⁴	Jy cm ⁴	A IRLIK (kg/m) WEIGHT
	14177	K RAYLI KASA PROF L DOUBLE RAIL FRAME PROFILE	6,34 cm ⁴	27,86 cm ⁴	1,253 kg/m
	14178	S NEKL KL K RAYLI KASA PROF L SCREENING DOUBLE RAIL FRAME PROFILE	8,04 cm ⁴	57,92 cm ⁴	1,547 kg/m
	734	KANAT PROF L SASH PROFILE	9,73 cm ⁴	4,93 cm ⁴	0,770 kg/m
	14465	KANAT PROF L SASH PROFILE	11,05 cm ⁴	4,97 cm ⁴	0,803 kg/m
	765	ORTA KAYIT PROF L MULLION PROFILE	7,96 cm ⁴	4,45 cm ⁴	0,738 kg/m
	14305	KENET PROF L LOCKING PROFILE	-	-	0,394 kg/m
	12339	S NEKL K PROF L SCREENING PROFILE	-	-	0,703 kg/m
	3594	TAKV YE PROF L REINFORCE PROFILE	-	-	0,655 kg/m
	3595	TAKV YE KAPAK PROF L REINFORCE COVER PROFILE	-	-	0,101 kg/m
	735	TEK CAM ADAPTÖR PROF L SINGLE GLAZING ADAPTER PROFILE	-	-	0,279 kg/m
	777	ORTA ADAPTÖR PROF L MIDDLE ADAPTER PROFILE	-	-	0,171 kg/m
	14227	S NEKL K ORTA B RLE M ADAPTÖR PROF L MIDDLE ADAPTER PROFILE FOR SCREENING	-	-	0,251 kg/m
	553	PERVAZ PROF L SILL PROFILE	-	-	0,656 kg/m
	14466	PERVAZ PROF L SILL PROFILE	-	-	0,386 kg/m
	13808	PERVAZ PROF L SILL PROFILE	-	-	0,236 kg/m



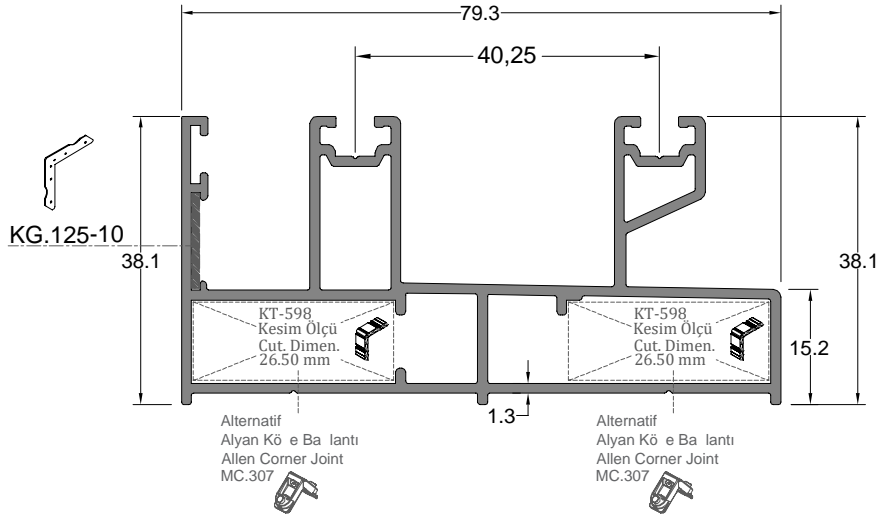
AKSESUAR ACCESSORY	STOK KODU REFERENCE CODE	AKSESUAR ADI DESCRIPTION	AKSESUAR KODU PRODUCT CODE	PAKET PACK
	AKS1338	Ç CAM F T L INNER GLAZING GASKET	S32HL- CF.30	330 mt / paket 10 kg
	AKS1339	Ç CAM F T L INNER GLAZING GASKET	S32HL- CF.40	205 mt / paket 10 kg
	AKS1341	Ç CAM F T L INNER GLAZING GASKET	S32HL- CF.50	175 mt / paket 10 kg
	AKS1297	RAY KAPAK F T L RAIL COVER GASKET	S32HL-KRF.05	330 mt / paket 10 kg
	AKS8751	RAY KAPAK F T L RAIL COVER GASKET	S32HL-KYF.05	205 mt / paket 10 kg
	AKS7980	KANAL KAPAMA F T L KANAL	S32HL-KF.21	357 mt / paket 10 kg
	AKS8129	SPANYOLET ADAPTÖR (PVC) 8667-1 ESPAGNOLETTE ADAPTER (PVC)	S32HL- A.32	1 mt / paket
	AKS780	KASA VE KANAT PROF LLER Ç N ALYAN KÖ E BA LANTI ALLEN CORNER JOINT FOR FRAME AND SASH	S32HL-MC.307	1 pk / 250 ad
	AKS785	KÖ E ÇAVU U CORNER CONNECTION	S32HL-FJ.314	250 ad / 1 pk
	AKS789	MO.19 KÖ E GÖNYE MO.19 CORNER BRACKET	S32HL-KG.318	1000 ad / paket
	AKS5007	KÖ E GÖNYE CORNER BRACKET	S32HL-KG.125-10	Adet Piece
	AKS748	PASLANMAZ KÖ E GÖNYE CORNER BRACKET	S32HL-KG.206	500 ad / 1 pk
	598-007	KÖ E BA LANTI TAKOZU (KASA PROF LLER Ç N) CORNER CONNECTION WEDGE (FOR FRAMES PROFILE)	S32HL-KT.598.0700	Adet Piece
	AKS8130	ALÜM NYUM U KANALLI Ç FTL RULMAN ALUMINIUM ROLLER FOR STEEL RAIL (DOUBLE)	S32HL-ÇR.320	200 ad / paket
	AKS1560	PASLANMAZ ÇEL K RAY 8,3 mm STAINLESS STEEL RAIL 8,3 mm	S32HL-PÇR.200	1 Boy x 6 m
	AKS923	GENEL SPANYOLET KAR ILIK ESPAGNOLETTE STRIKER	S32HL- K.440	Adet Piece
	AKS8851	KANAT STOPER SLIDING STOPPER	S32HL-HST.32	Adet Piece
	AKS1942	KANAT ORTA B RLE M SÜRME SPANYOLET KAR ILIK (ZAMAK) SLIDING ESPAGNOLETTE STRIKER (ZAMAK)	S32HL-KK.520	Adet Piece



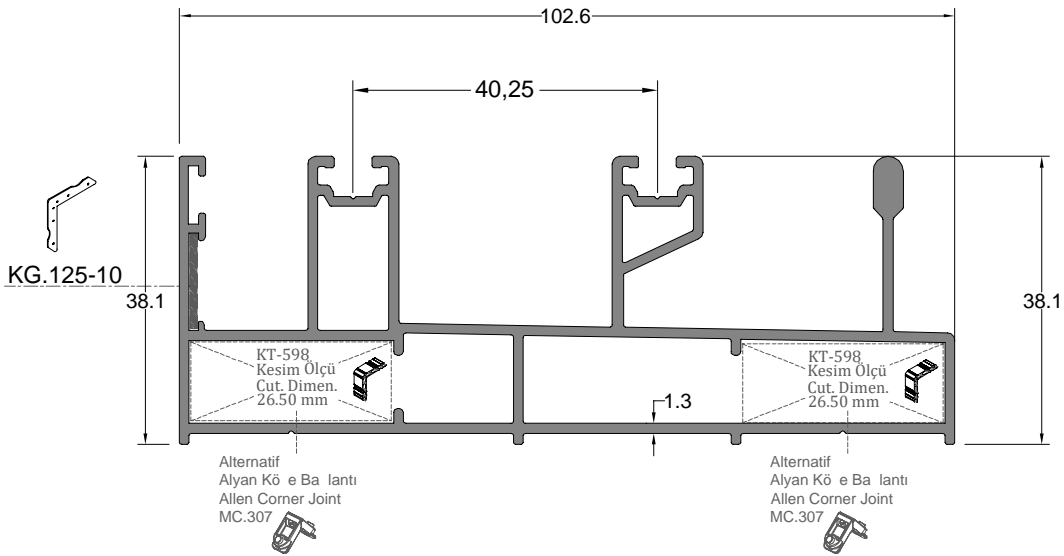
AKSESUAR ACCESSORY	STOK KODU REFERENCE CODE	AKSESUAR ADI DESCRIPTION	AKSESUAR KODU PRODUCT CODE	PAKET PACK
	AKS8128	ALT-ÜST HAVA KES C BOTTOM-TOP AIR BLOCKER	S32HL-AHK.320	100 ad / paket
	AKS919	ALT-ÜST KENET KAPA I BOTTOM-TOP INTERLOCKING PART	S32HL-KP.411	100 ad / paket
	AKS8131	80 CM DAR BACKSET SÜRME SPANYOLET (15,5 EKSEN-UZUN P ML) 80 CM	S32HL- SP.500	Adet Piece
	AKS8132	120 CM DAR BACKSET SÜRME SPANYOLET (15,5 EKSEN-UZUN P ML) 80 CM	S32HL- SP.501	Adet Piece
	AKS8133	160 CM DAR BACKSET SÜRME SPANYOLET (15,5 EKSEN-UZUN P ML) 80 CM	S32HL- SP.502	Adet Piece
	AKS8134	180 CM DAR BACKSET SÜRME SPANYOLET (15,5 EKSEN-UZUN P ML) 80 CM	S32HL- SP.503	Adet Piece
	AKS8135	200 CM DAR BACKSET SÜRME SPANYOLET (15,5 EKSEN-UZUN P ML) 80 CM	S32HL- SP.504	Adet Piece
	AKS8136	220 CM DAR BACKSET SÜRME SPANYOLET (15,5 EKSEN-UZUN P ML) 80 CM	S32HL- SP.505	Adet Piece
	AKS8127	SU TAHL YE KAPA I WATER DRAIN COVER	S32HL-HTK.32	
	AKS4476	ROTO SECUST K PENCERE KOLU ROTO WINDOW HANDLE	S32HL-RK.291	1 Pk / 20 Ad
	AKS2756	FORZA BAS ÇEV R KOL (SPANYOLET KOLU) FORZA PUSH HANDLE (ESPAGNOLETTE HANDLE)	S32HL-BK.115	Adet



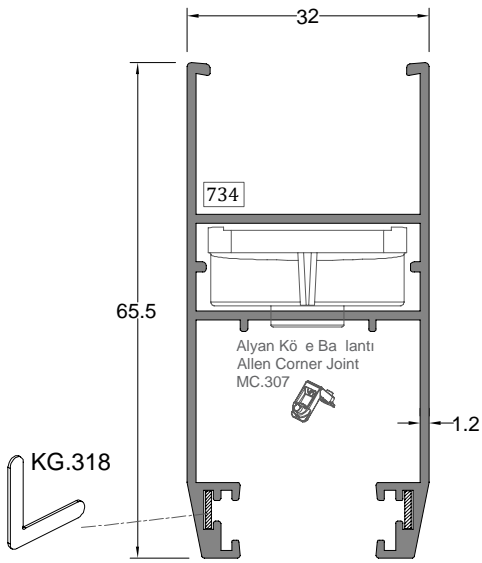
AKSESUAR ACCESSORY	STOK KODU REFERENCE CODE	AKSESUAR ADI DESCRIPTION	AKSESUAR KODU PRODUCT CODE	PAKET PACK
	AKS386	FORZA PAS F HAVUZ KOL (S YAH) FORZA RECESSED FINGER PULL HANDLE (BLACK)	S32HL-FHK.790	1 pk / 40 ad
	AKS387	FORZA PAS F HAVUZ KOL (BEYAZ) FORZA RECESSED FINGER PULL HANDLE (WHITE)	S32HL-FHK.791	1 pk / 40 ad
	AKS388	FORZA PAS F HAVUZ KOL (NATUREL) FORZA RECESSED FINGER PULL HANDLE (NATURAL)	S32HL-FHK.792	1 pk / 40 ad
	AKS389	FORZA PAS F HAVUZ KOL (ANTRAS T) FORZA RECESSED FINGER PULL HANDLE (NATURAL)	S32HL-FHK.793	1 pk / 40 ad
	AKS5157	FORZA SÜRME SPANYOLET KOLU KIVRIK SOL (9005 MAT) FORZA ESPAGNOLETTE PULL HANDLE (BLACK)	S32HL-SKK.157	1 pk / 40 ad
	AKS5158	FORZA SÜRME SPANYOLET KIVRIK SOL (RAL 9016) FORZA ESPAGNOLETTE PULL HANDLE (BLACK)	S32HL-SKK.158	1 pk / 40 ad
	AKS5159	FORZA SÜRME SPANYOLET KIVRIK SOL (RAL 7220) FORZA ESPAGNOLETTE PULL HANDLE (BLACK)	S32HL-SKK.159	1 pk / 40 ad
	AKS5160	FORZA SÜRME SPANYOLET KIVRIK SOL (RAL 7890 NOX) FORZA ESPAGNOLETTE PULL HANDLE (BLACK)	S32HL-SKK.160	1 pk / 40 ad
	AKS8280	FORZA SÜRME SPANYOLET KIVRIK SOL (7016 MAT) FORZA ESPAGNOLETTE PULL HANDLE (BLACK)	S32HL-SKK.161	1 pk / 40 ad
	AKS8721	FORZA SÜRME SPANYOLET KOLU KIVRIK SA (9005 MAT) FORZA ESPAGNOLETTE PULL HANDLE (BLACK)	S32HL-SKK.162	1 pk / 40 ad
	AKS8720	FORZA SÜRME SPANYOLET KOLU KIVRIK SA (9016) FORZA ESPAGNOLETTE PULL HANDLE (BLACK)	S32HL-SKK.163	1 pk / 40 ad
	AKS8722	FORZA SÜRME SPANYOLET KOLU KIVRIK SA (7220) FORZA ESPAGNOLETTE PULL HANDLE (BLACK)	S32HL-SKK.164	1 pk / 40 ad
	AKS8719	FORZA SÜRME SPANYOLET KOLU KIVRIK SA (7890 NOX) FORZA ESPAGNOLETTE PULL HANDLE (BLACK)	S32HL-SKK.165	1 pk / 40 ad
	AKS8723	FORZA SÜRME SPANYOLET KOLU KIVRIK SA (7016 MAT) FORZA ESPAGNOLETTE PULL HANDLE (BLACK)	S32HL-SKK.166	1 pk / 40 ad
	AKS1607	S NEKL K KÖ E BA LANTI SCREENING CORNER CONNECTION	S32HL-SC.150	500 adet / pk
	AKS1940	S NEKL K RULMAN SCREENING ROLLER	S32HL-ÇR.508	Adet
	AKS8039	Ø8 mm S NEKL K F T L Ø8 mm SCREENING GASKET	S32HL-SF.80	227 mt / paket 10 kg
	AKS1596 - 80cm	S NEKL K TÜLÜ SCREENING NET	S32HL-STF.80	24 m ² / paket
	AKS1597 - 100cm		S32HL-STF.100	30 m ² / paket
	AKS1598 - 120cm		S32HL-STF.120	36 m ² / paket
	AKS1599 - 140cm		S32HL-STF.140	44 m ² / paket
	AKS1600 - 160cm		S32HL-STF.160	48 m ² / paket
	AKS1916	CAM TAKOZU (5X28X80 mm) GLAZING WEDGE (5X28X80 mm)	S32HL-CT.210	1000 ad / 1 pk
	AKS1536	FIRÇA F T L (6.8 - 6 mm) WEATHER STRIP (6.8 - 6 mm)	S32HL-FÇ.708	350 mt / paket



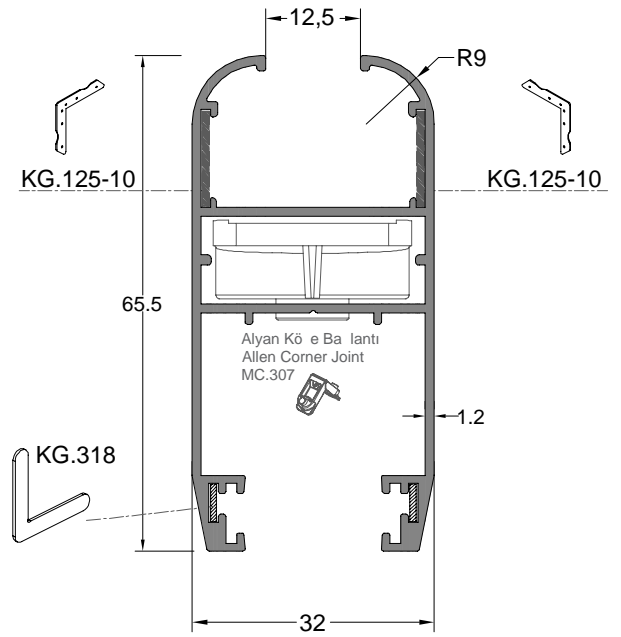
ki Raylı Kasa Profili	Profil Kodu	(kg/mt)	Jx cm ⁴	Jy cm ⁴
DOUBLE RAIL FRAME PROFILE	Profile Code	Weight		
	14177	1,253	6,34	27,86



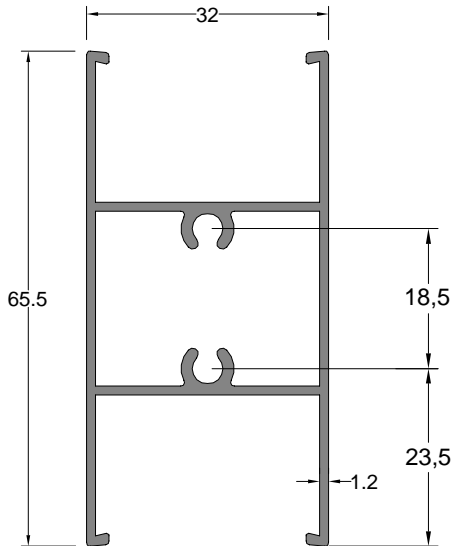
Sineklikli ki Raylı Kasa Profili	Profil Kodu	(kg/mt)	Jx cm ⁴	Jy cm ⁴
SCREENING DOUBLE RAIL FRAME PROFILE	Profile Code	Weight		
	14178	1,547	8,04	57,92



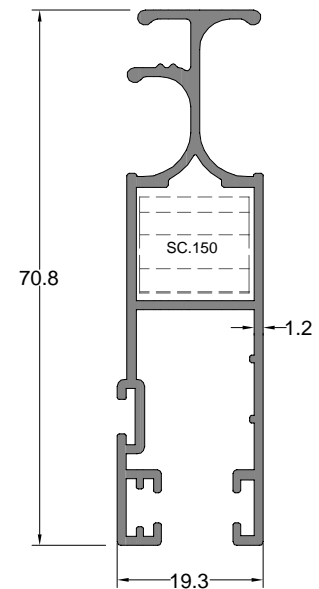
Kanat Profili	Profil Kodu	(kg/mt)	Jx cm ⁴	Jy cm ⁴
SASH PROFILE	Profile Code	Weight		
	734	0,770	14,98	14,47



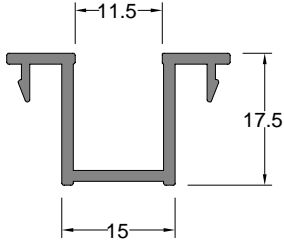
Kanat Profili	Profil Kodu	(kg/mt)	Jx cm ⁴	Jy cm ⁴
SASH PROFILE	Profile Code	Weight		
	14465	0,803	11,05	4,97



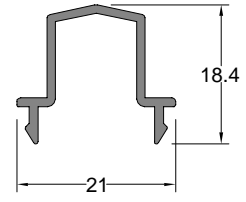
Orta Kayıt Profili	Profil Kodu	(kg/mt)	Jx cm ⁴	Jy cm ⁴
MULLION PROFILE	Profile Code	Weight		
	765	0,738	7,96	4,45



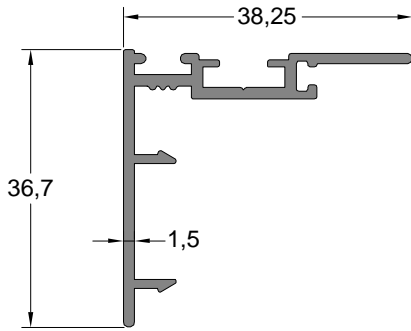
Sineklik Kanat Profili	Profil Kodu	(kg/mt)
SCREENING SASH PROFILE	Profile Code	Weight
	12339	0,703



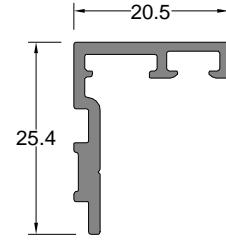
Tek Cam Adaptör Profili SINGLE GLAZING ADAPTER PROFILE	Profil Kodu Profile Code	(kg/mt) Weight
	735	0,279



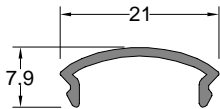
Orta Adaptör Profili MIDDLE ADAPTER PROFILE	Profil Kodu Profile Code	(kg/mt) Weight
	777	0,171



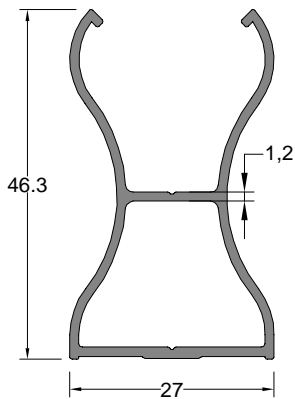
Kenet Profili LOCKING PROFILE	Profil Kodu Profile Code	(kg/mt) Weight
	14305	0,394



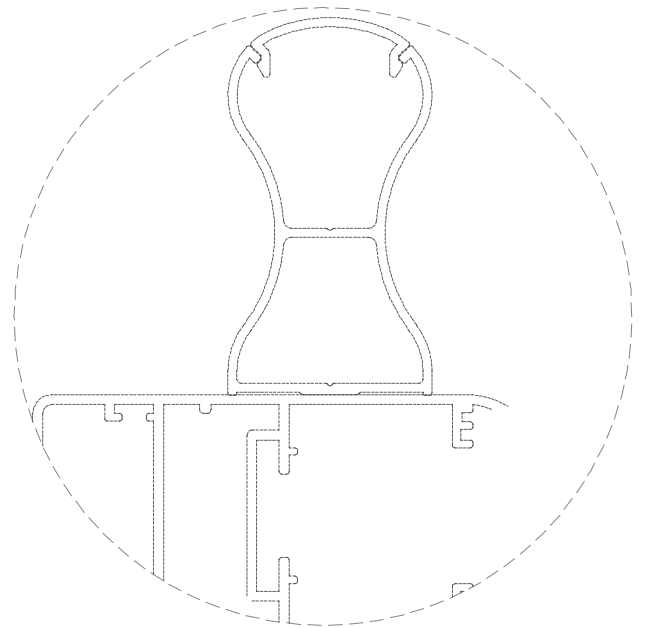
Sineklik Orta Birle im Adaptör Profili	Profil Kodu Profile Code	(kg/mt) Weight
	14227	0,251

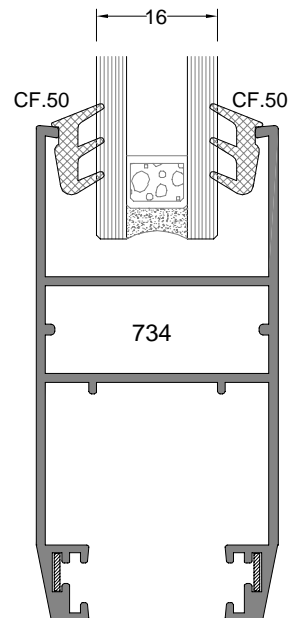
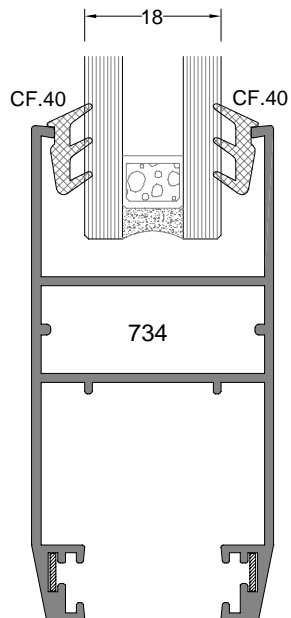
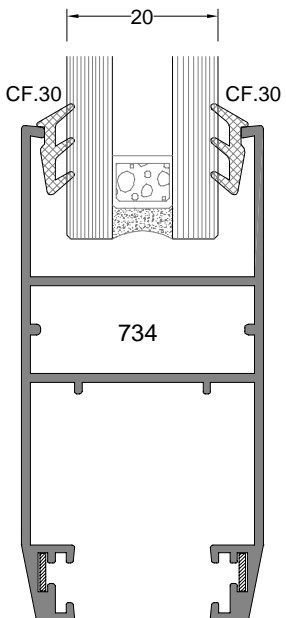
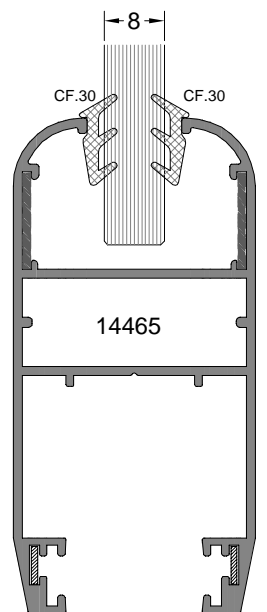
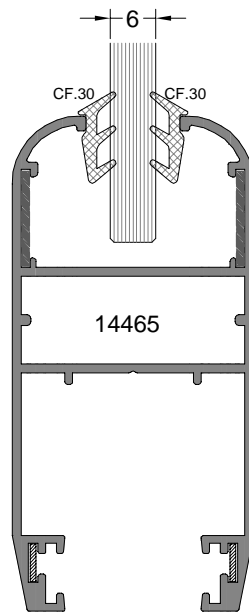
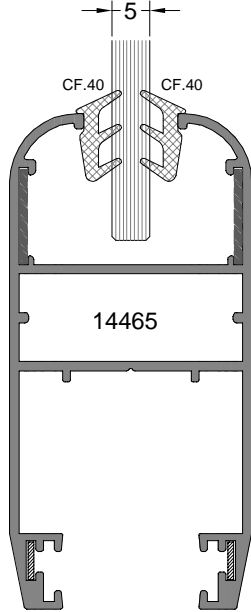
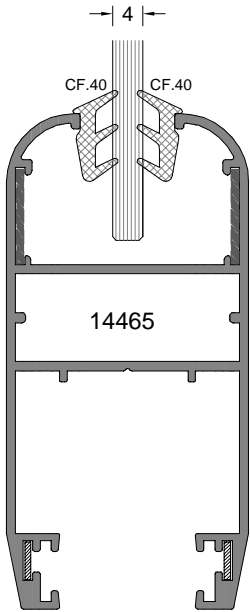
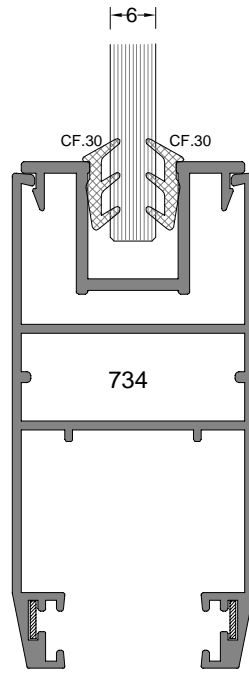
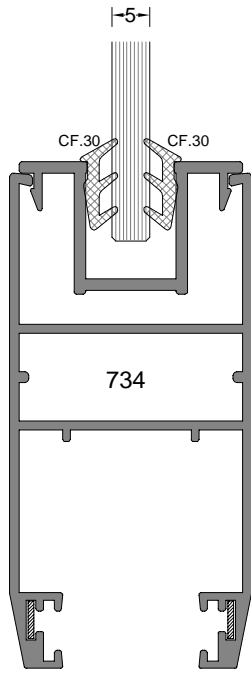
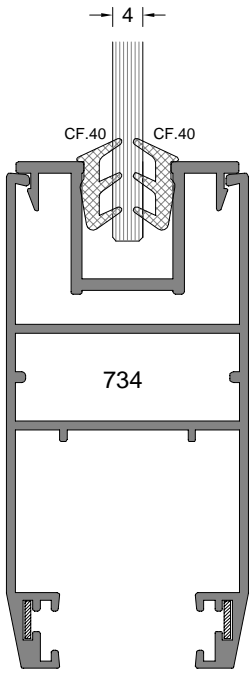


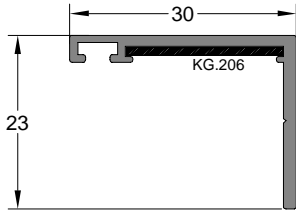
Takviye Kapak Profili REINFORCE COVER PROFILE	Profil Kodu Profile Code	(kg/mt) Weight
	3595	0,101



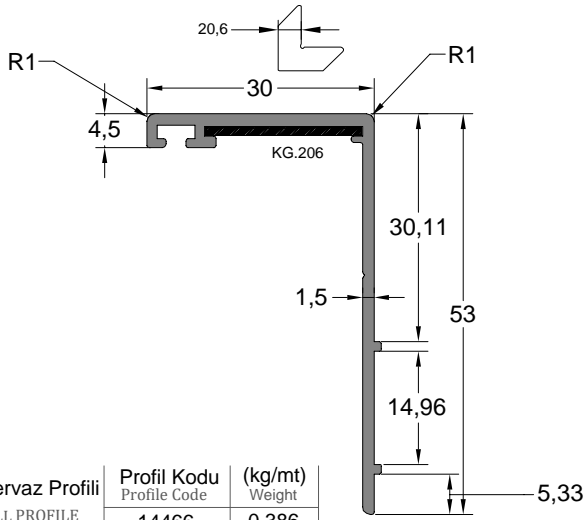
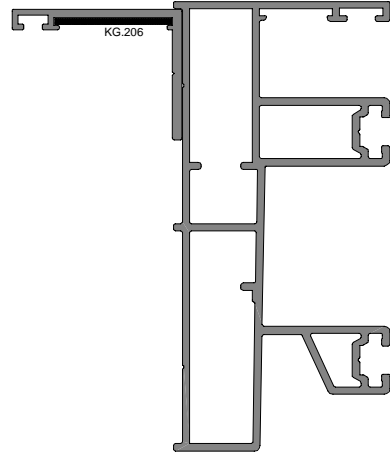
Takviye Profili REINFORCE PROFILE	Profil Kodu Profile Code	(kg/mt) Weight
	3594	0,655



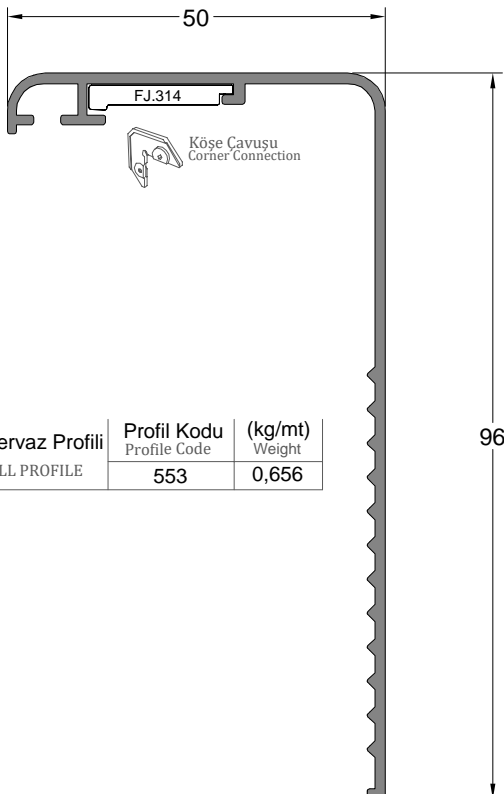
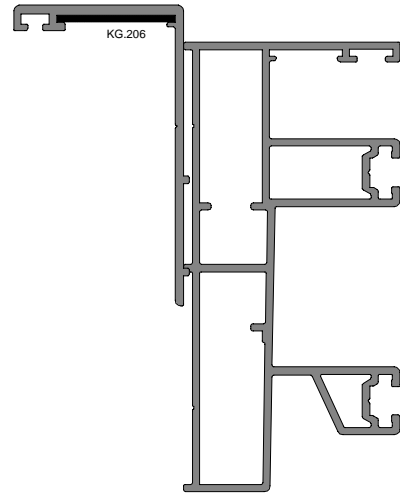




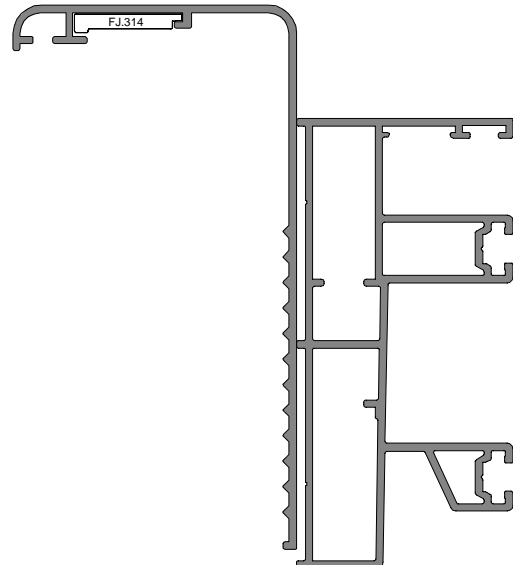
Pervaz Profili	Profil Kodu	(kg/mt)
SILL PROFILE	Profile Code	Weight
	13808	0,236

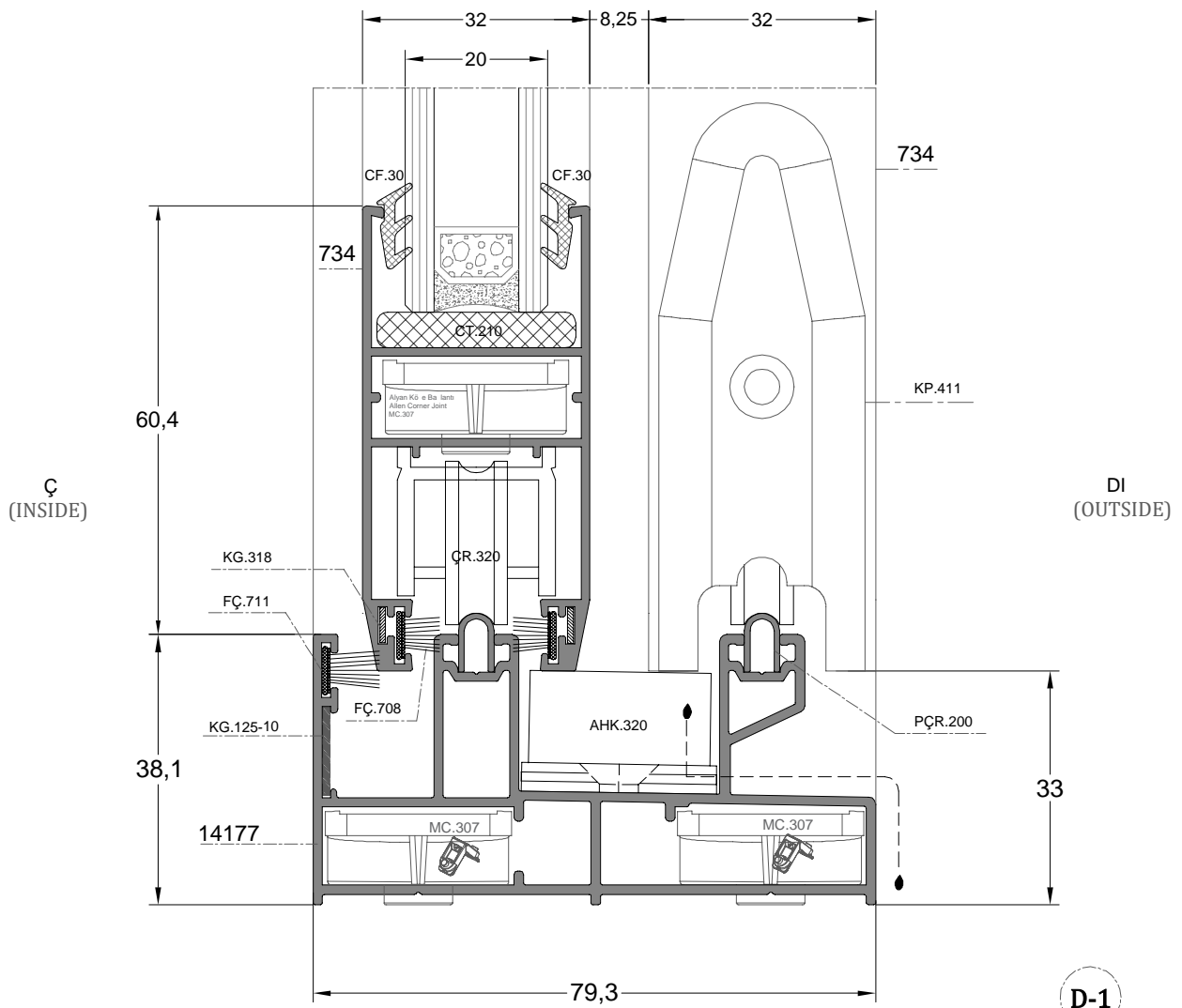
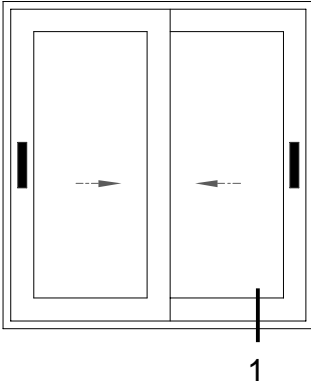


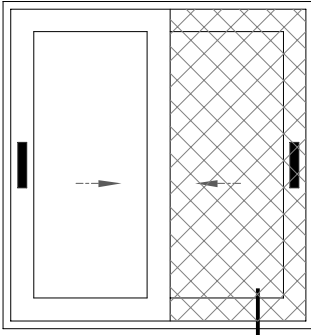
Pervaz Profili	Profil Kodu	(kg/mt)
SILL PROFILE	Profile Code	Weight
	14466	0,386



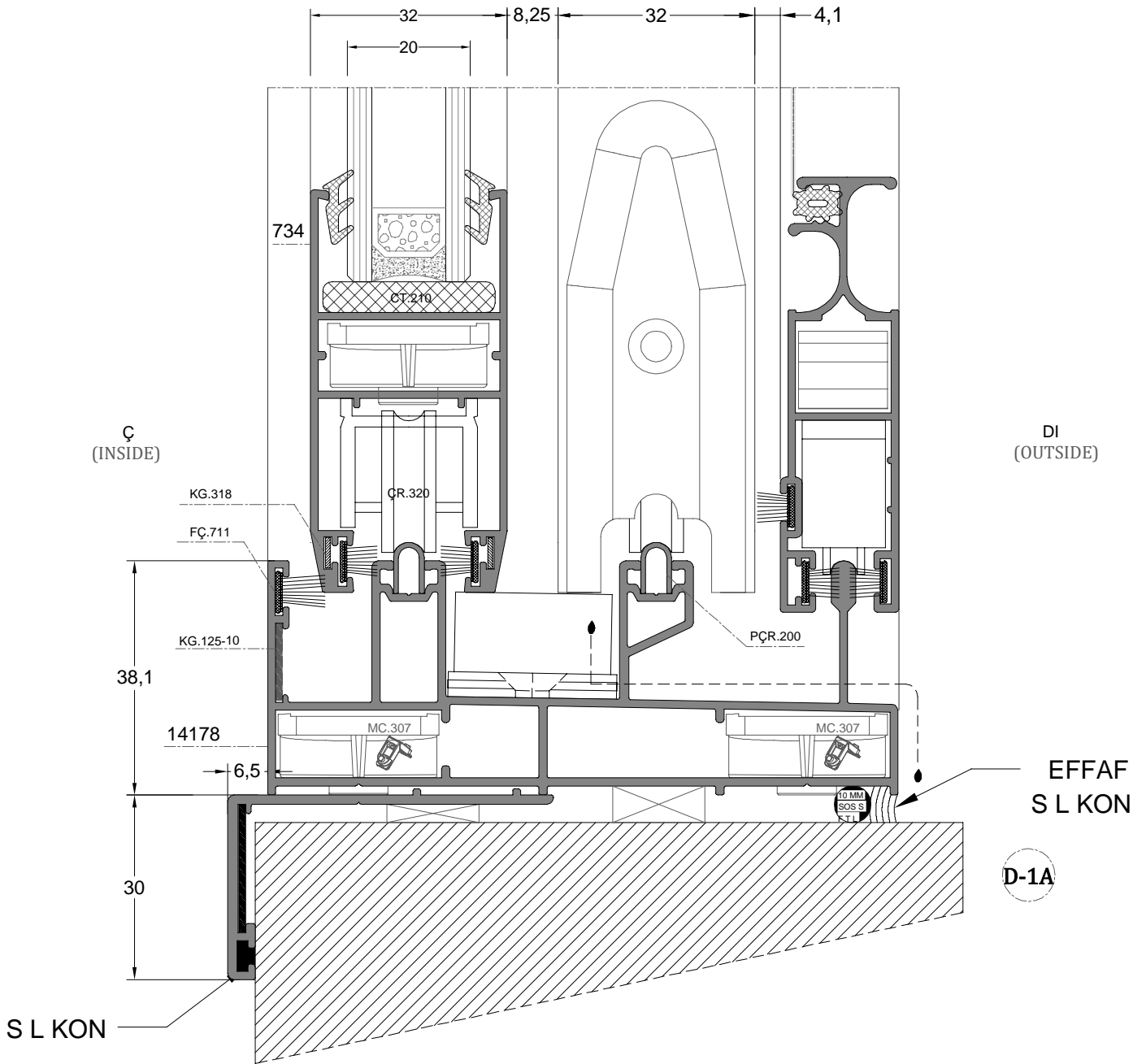
Pervaz Profili	Profil Kodu	(kg/mt)
SILL PROFILE	Profile Code	Weight
	553	0,656

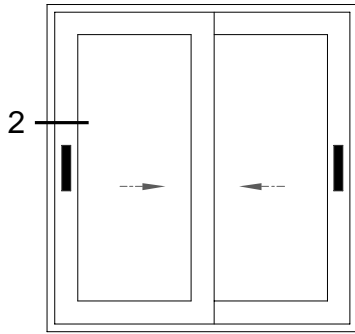




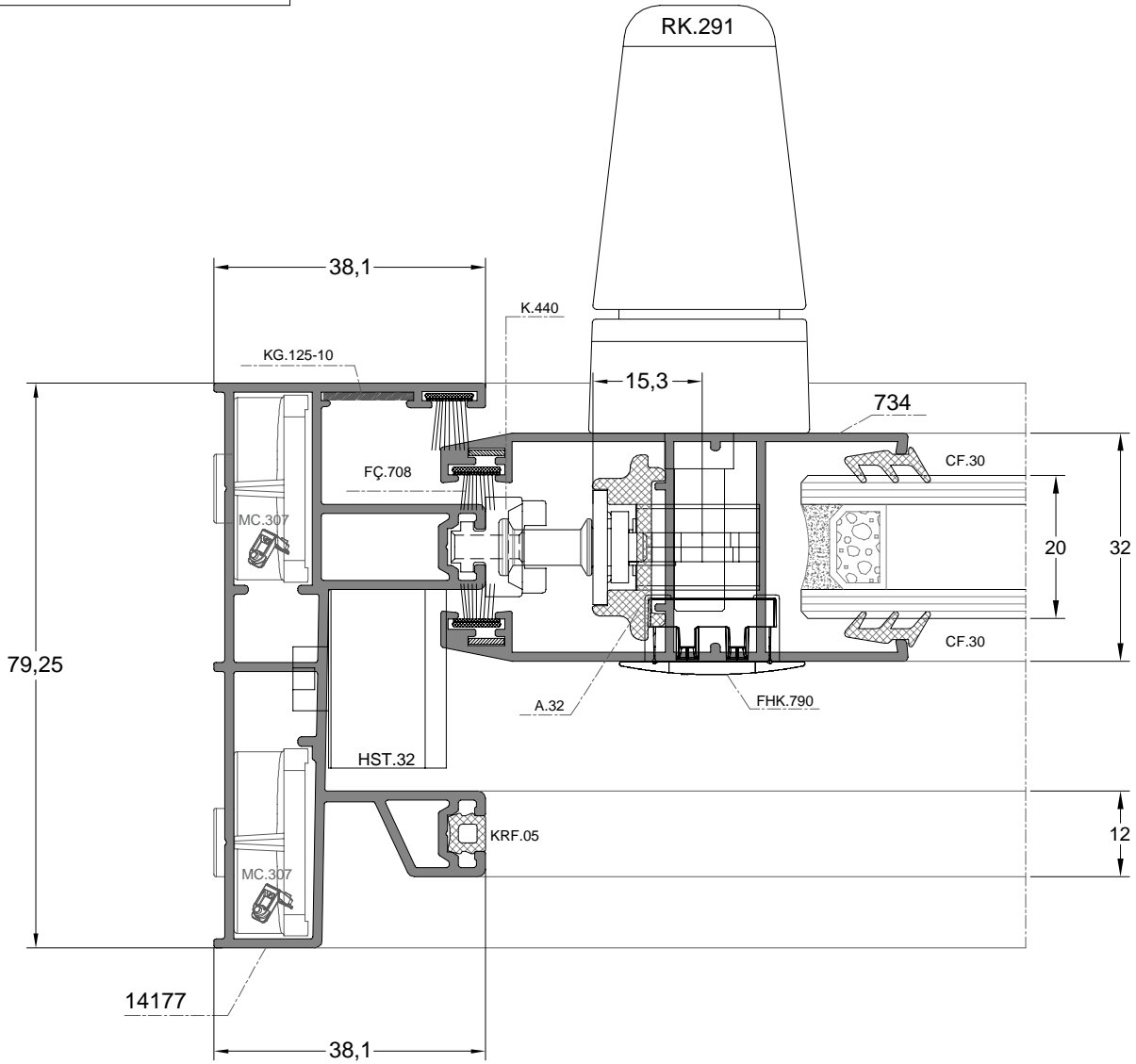


1A



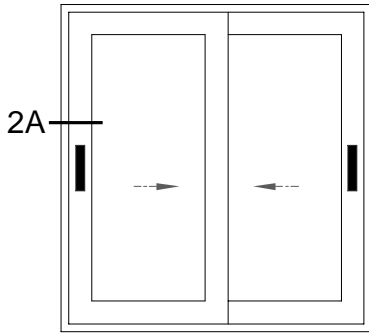


Ç
(INSIDE)

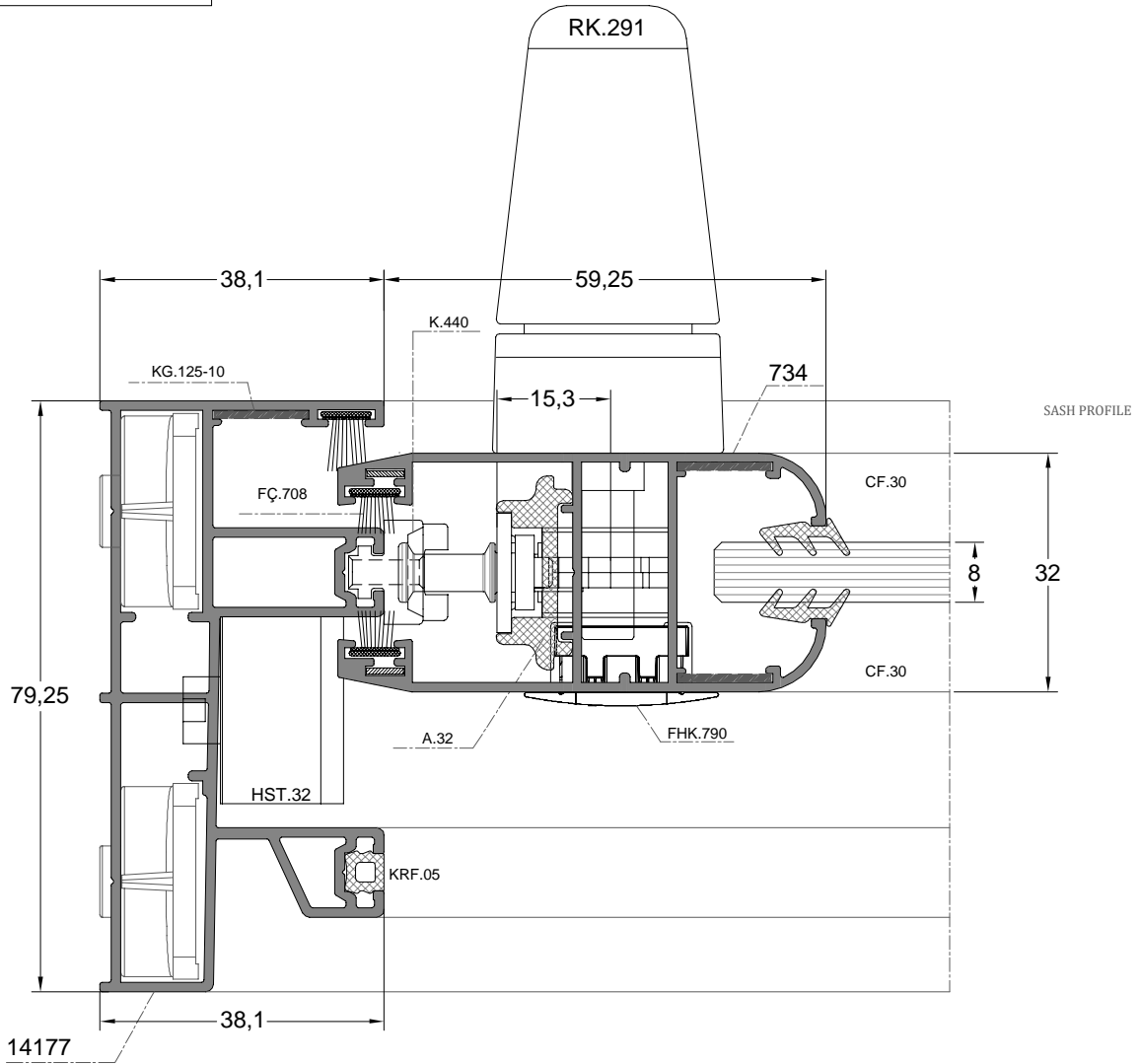


DI
(OUTSIDE)

D-2

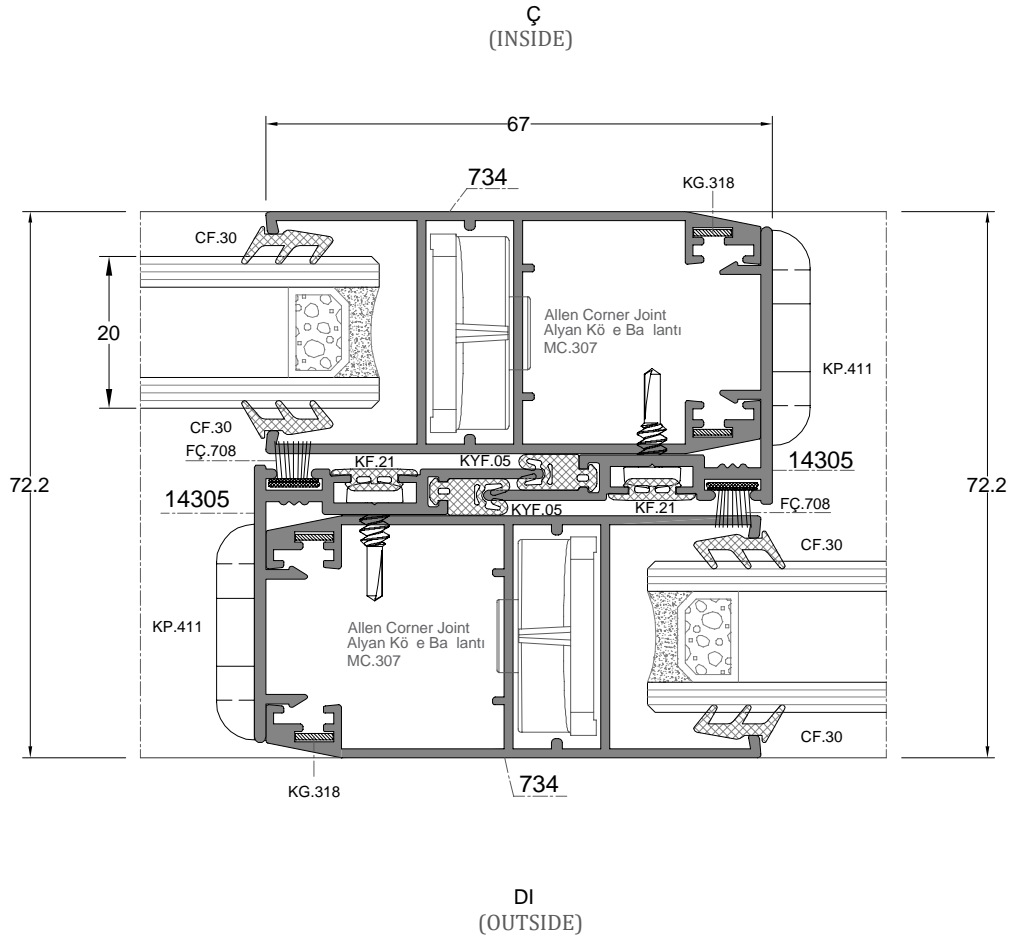
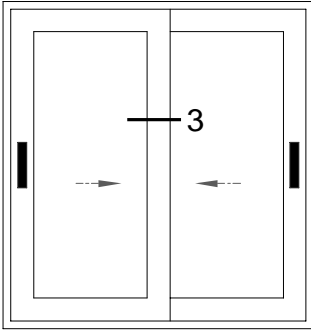


Ç
(INSIDE)

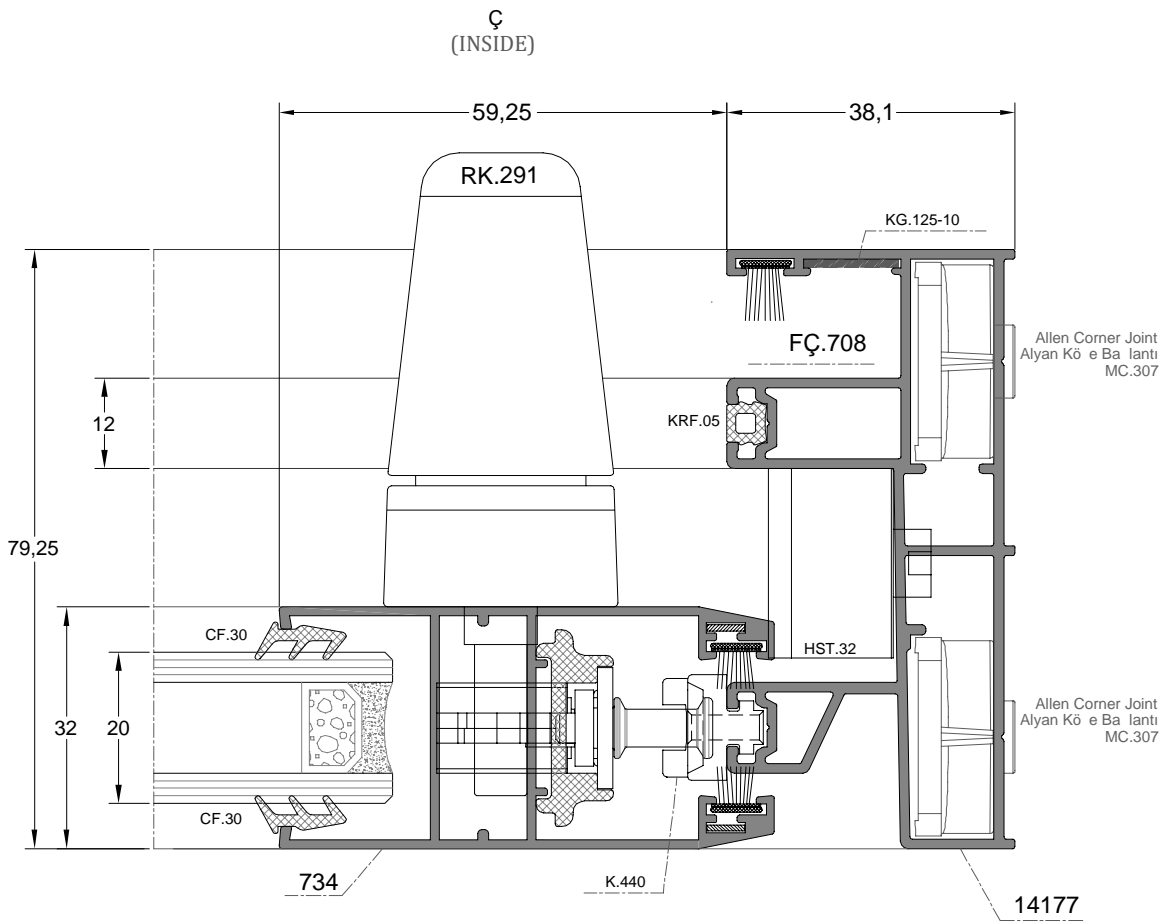
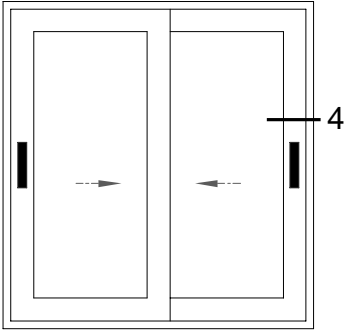


DI
(OUTSIDE)

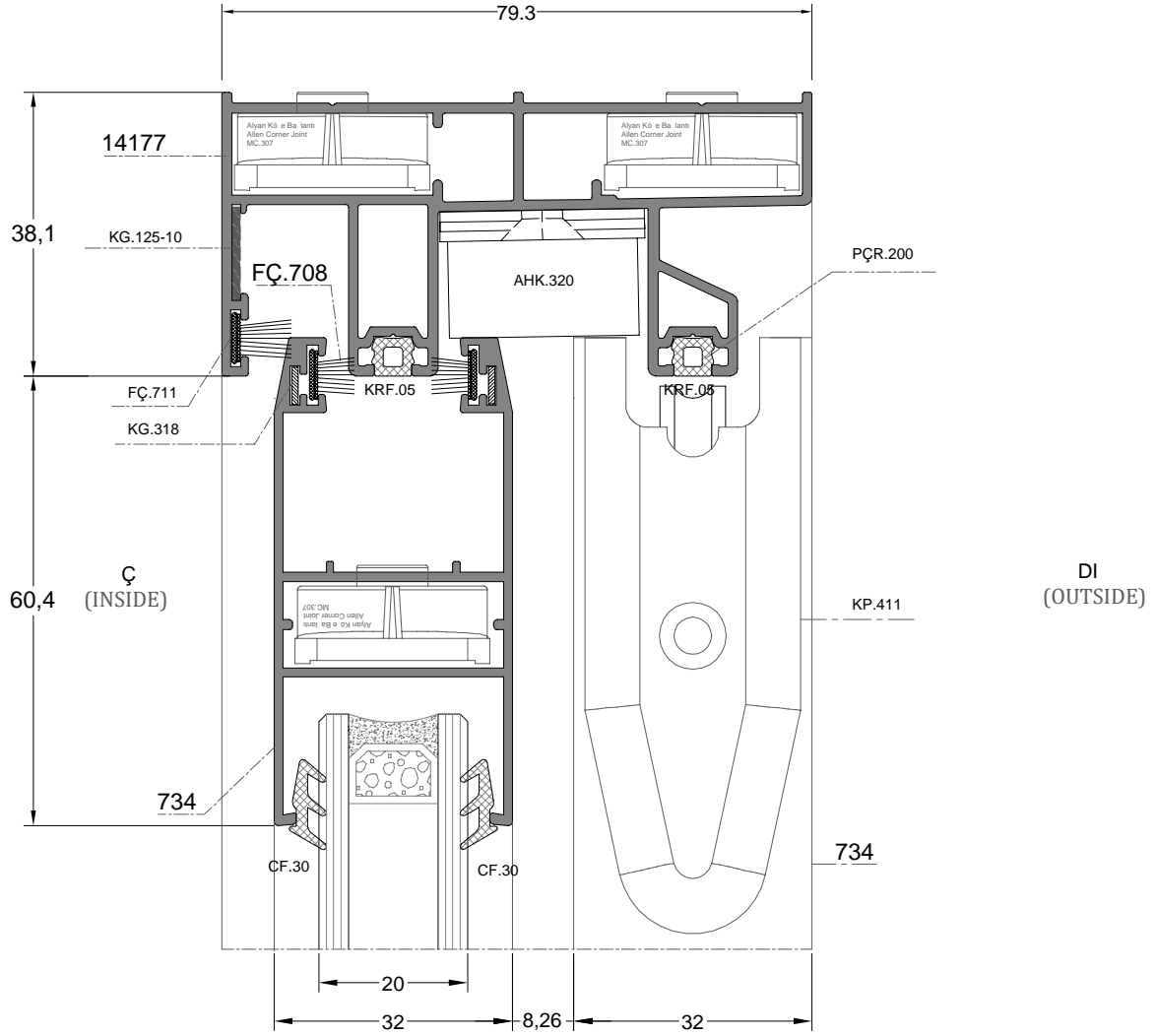
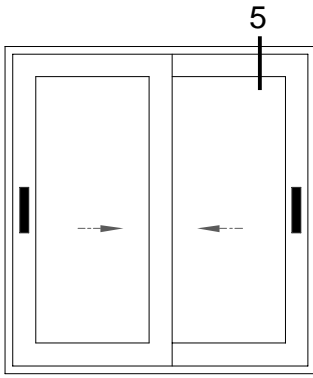
D-2A



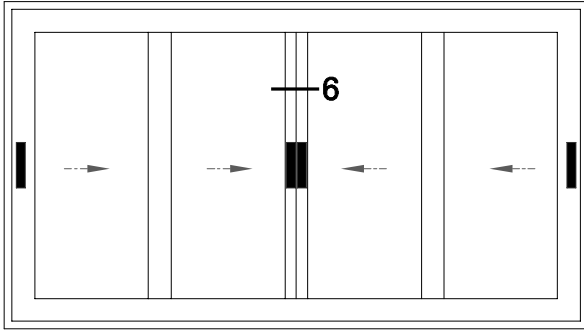
D-3



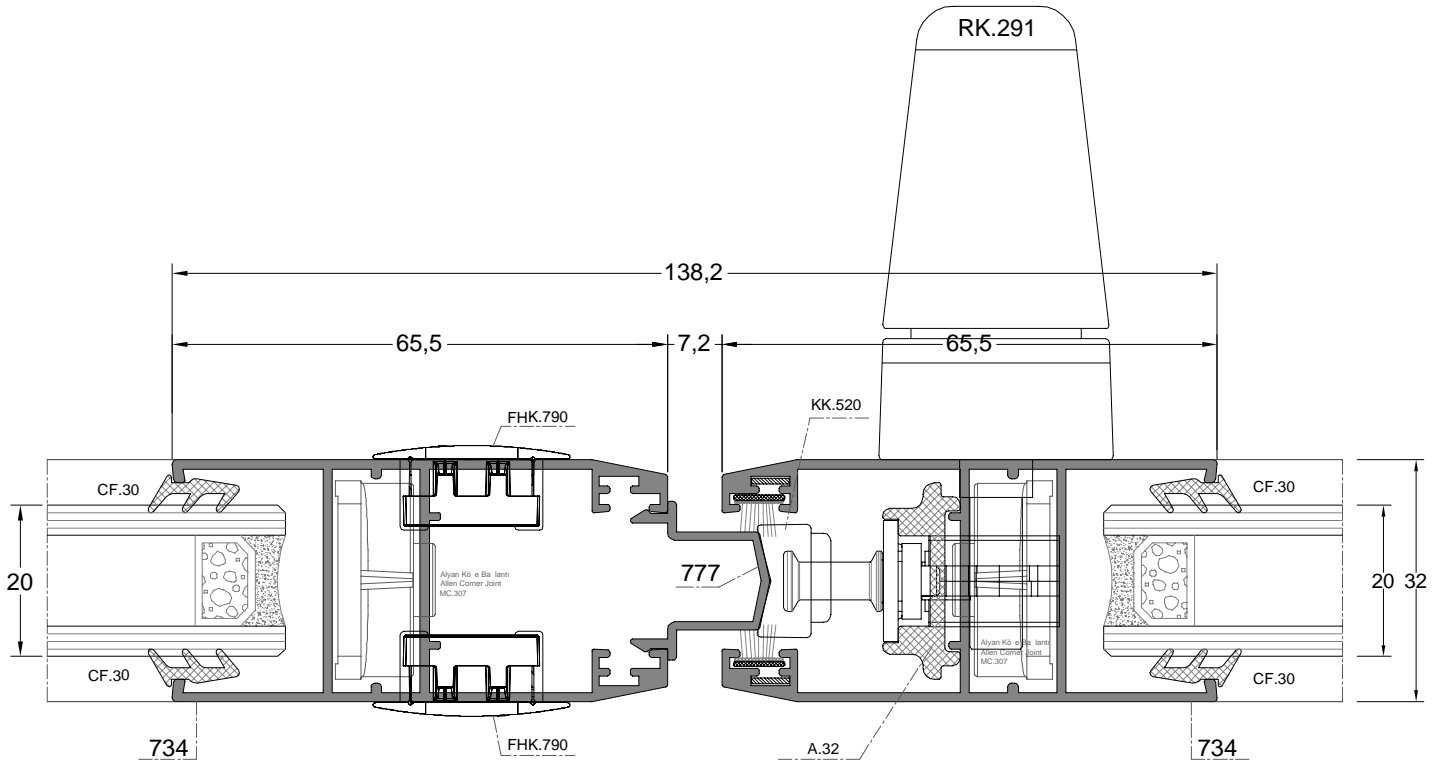
D1
(OUTSIDE)



D-5

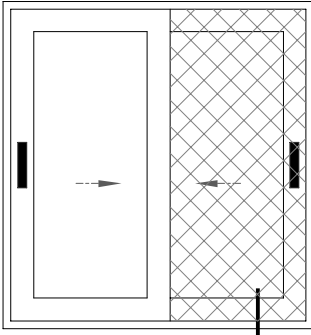


Ç
(INSIDE)

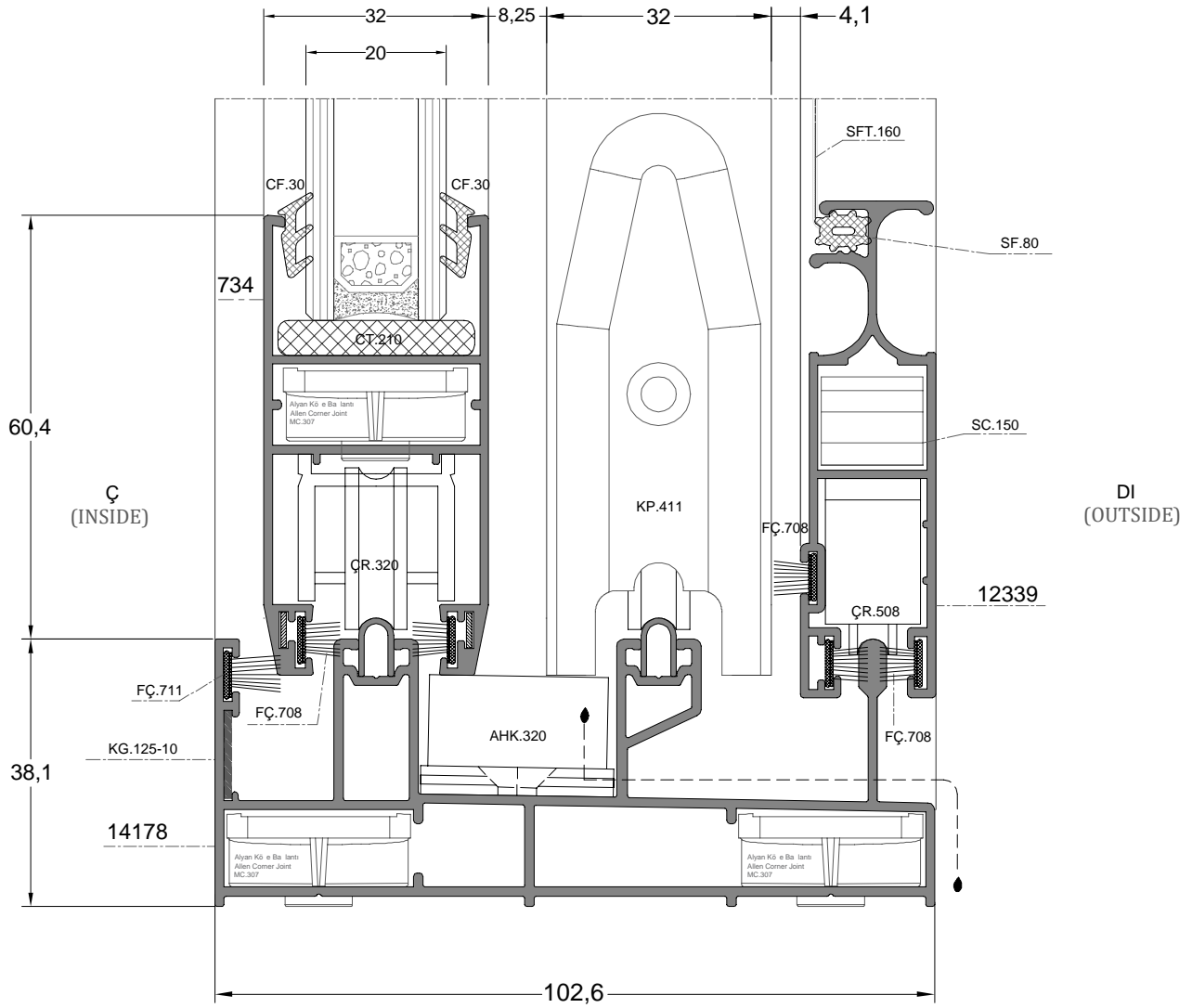


DI
(OUTSIDE)

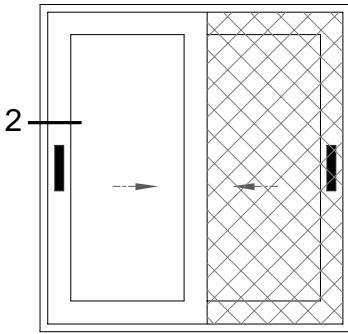
D-6



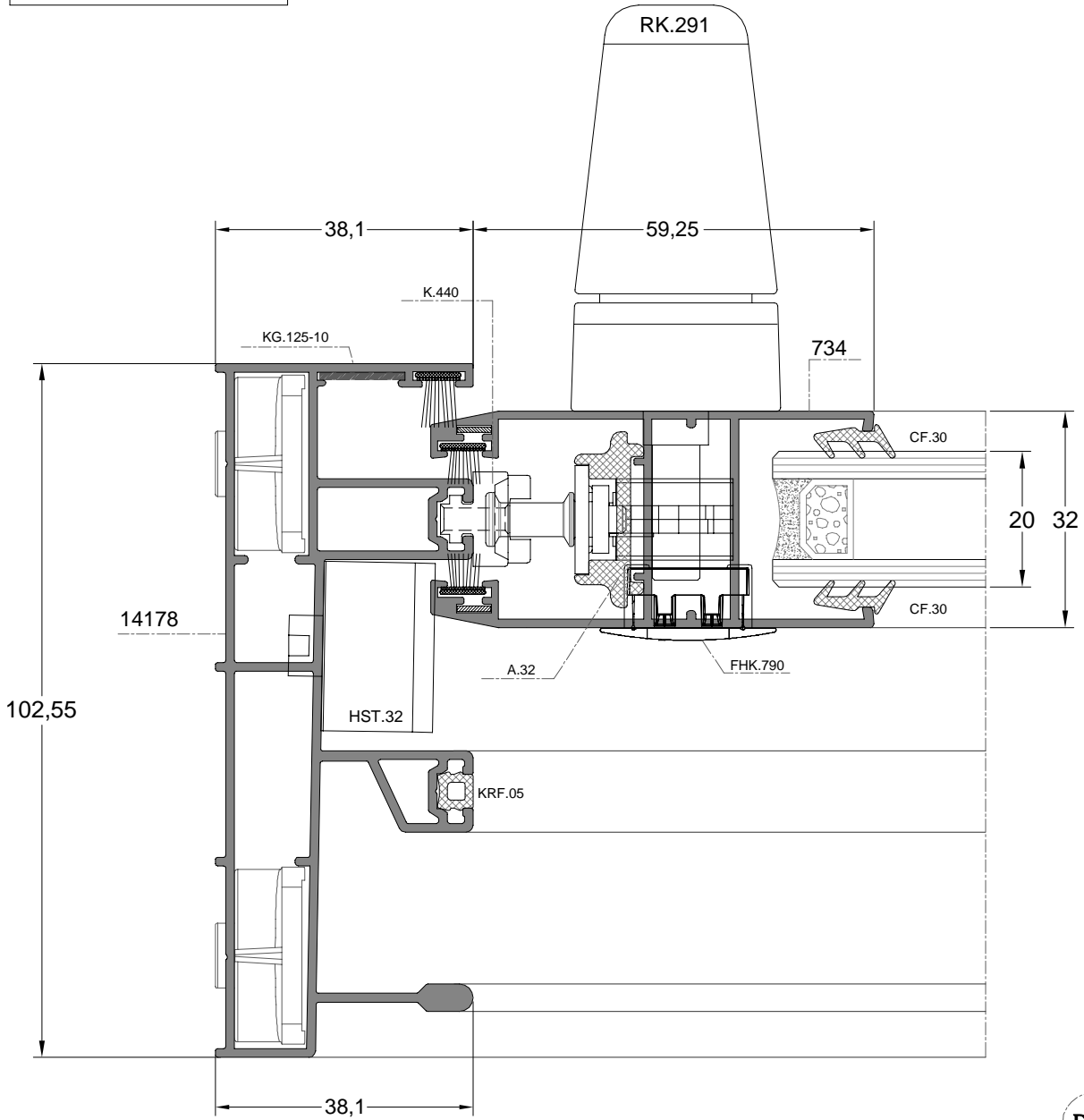
1



D-1

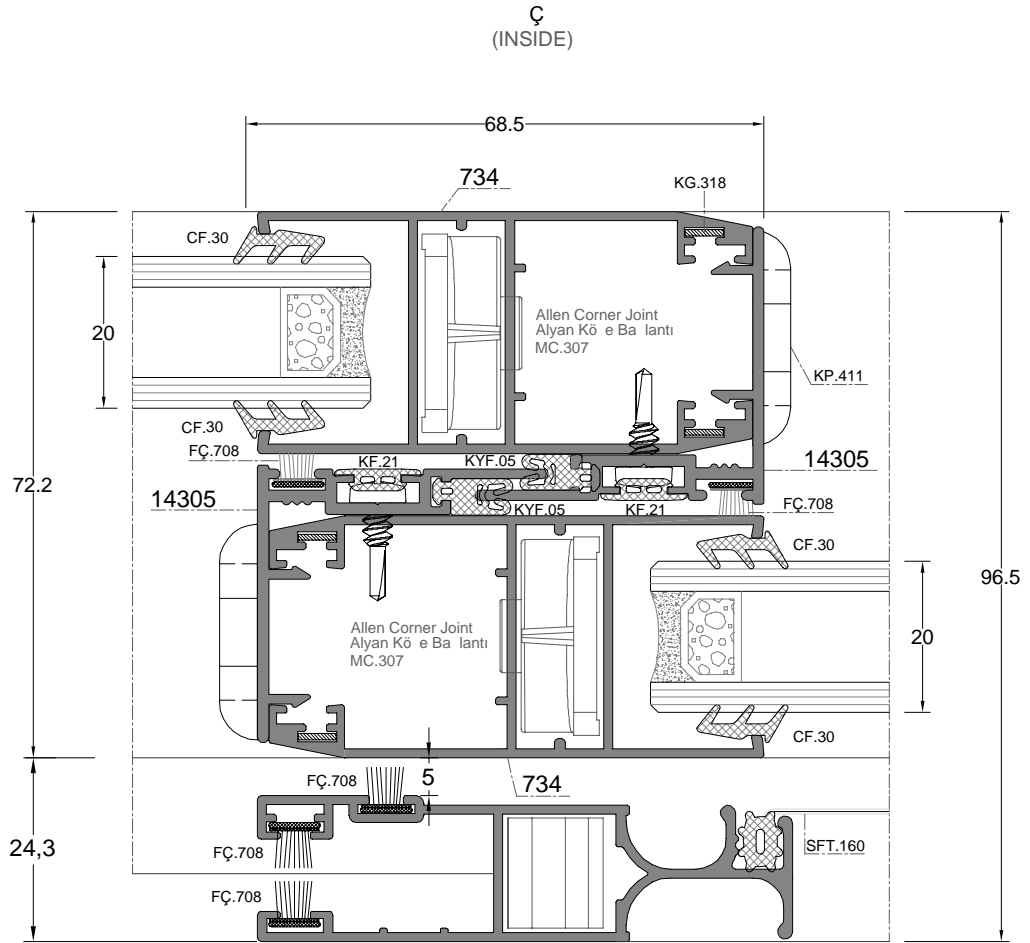
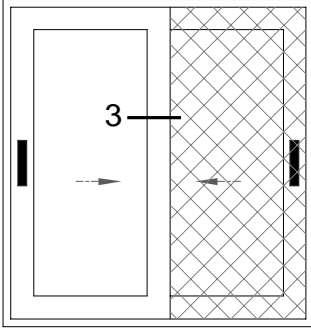


Ç
(INSIDE)



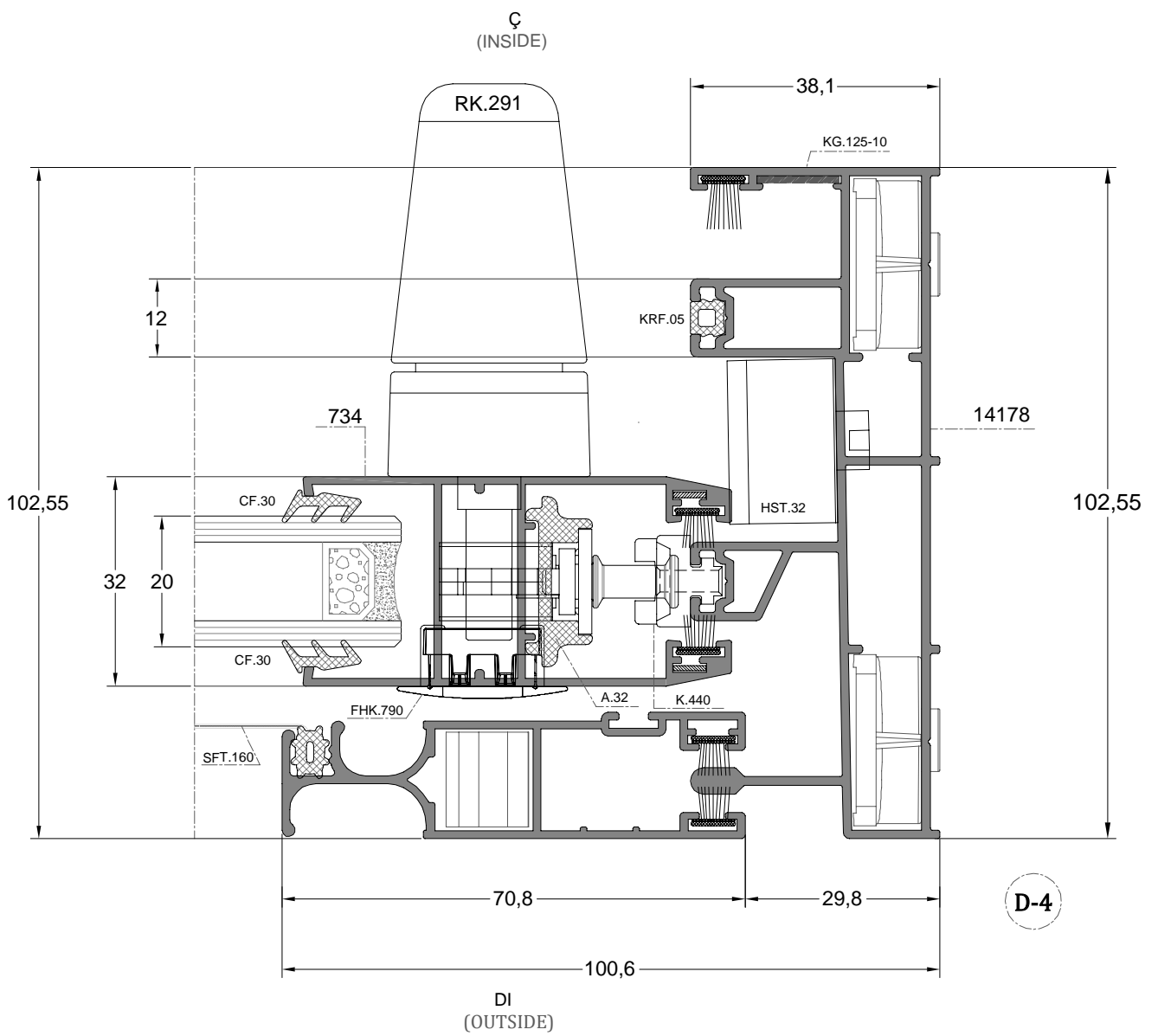
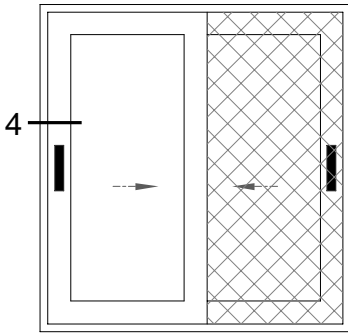
D-2

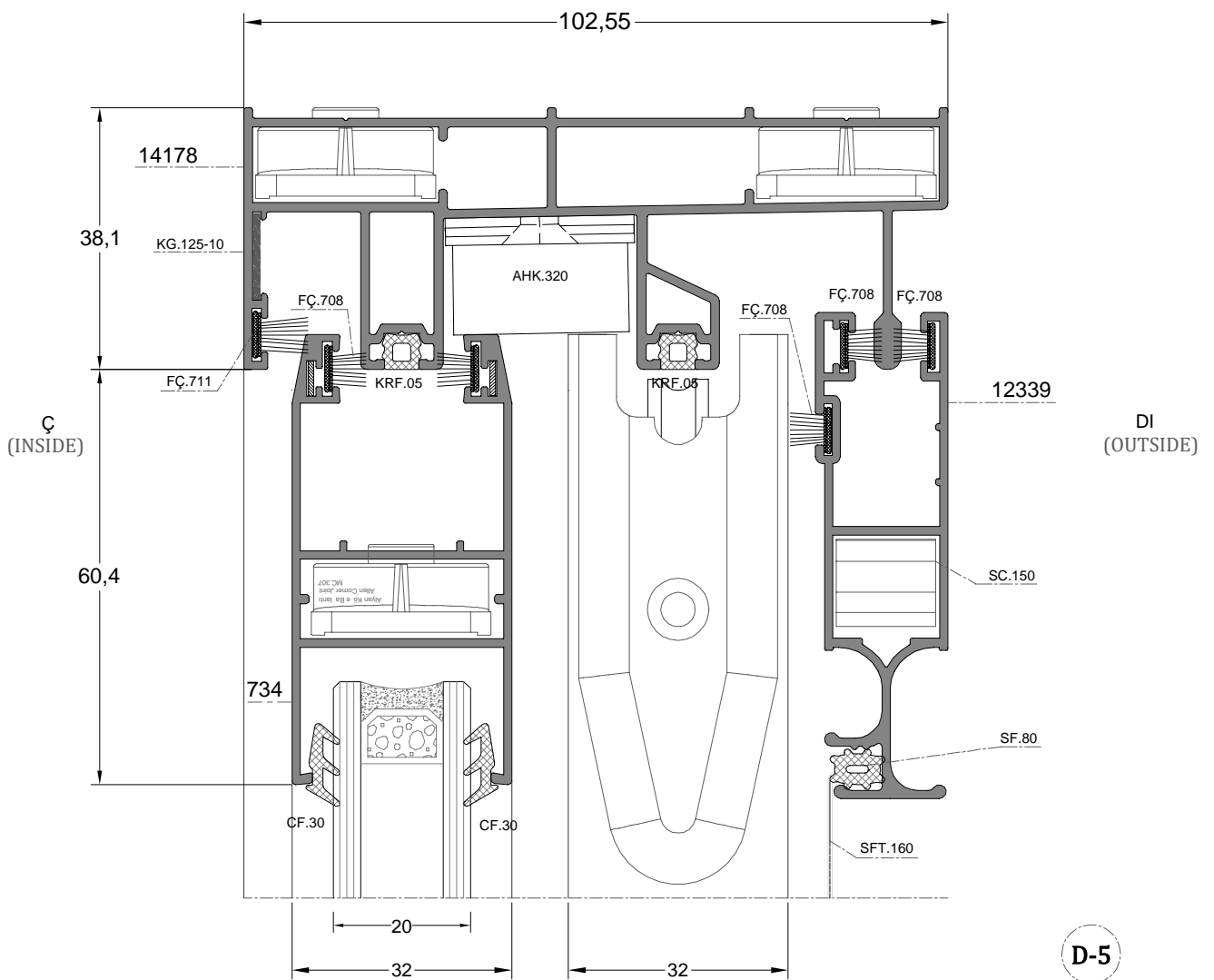
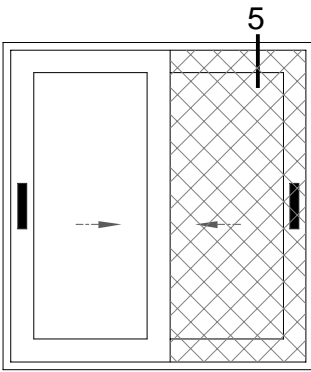
DI
(OUTSIDE)

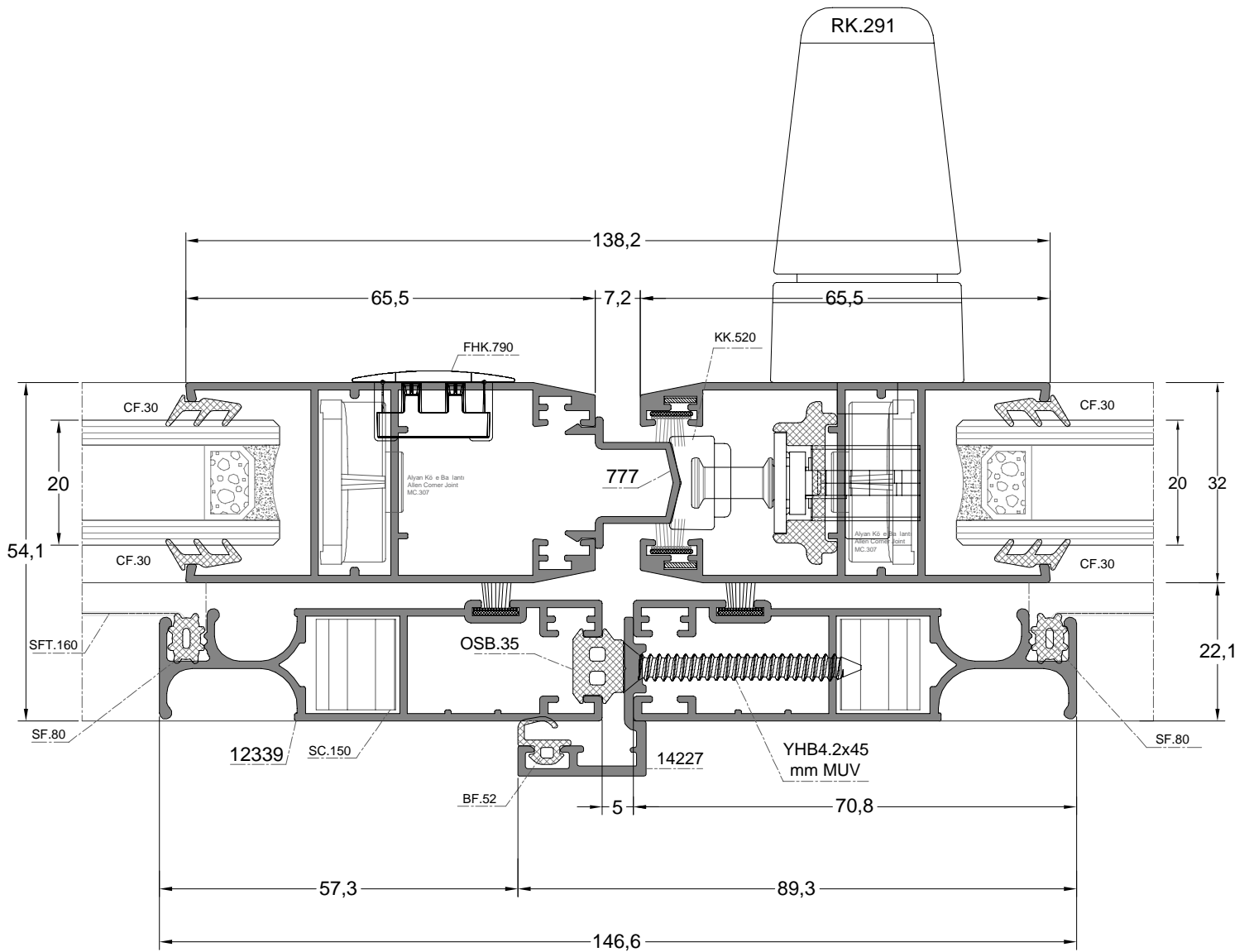
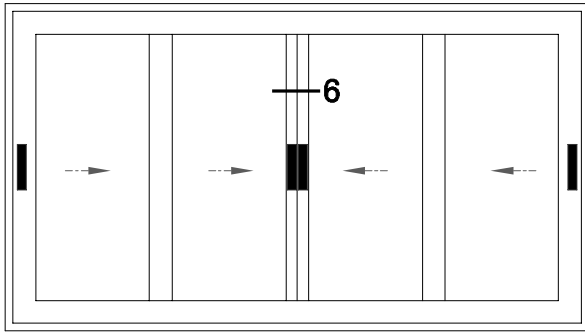


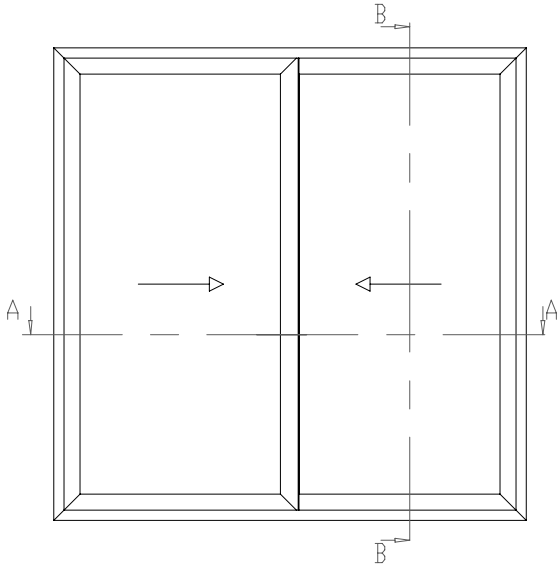
D-3

DI
(OUTSIDE)

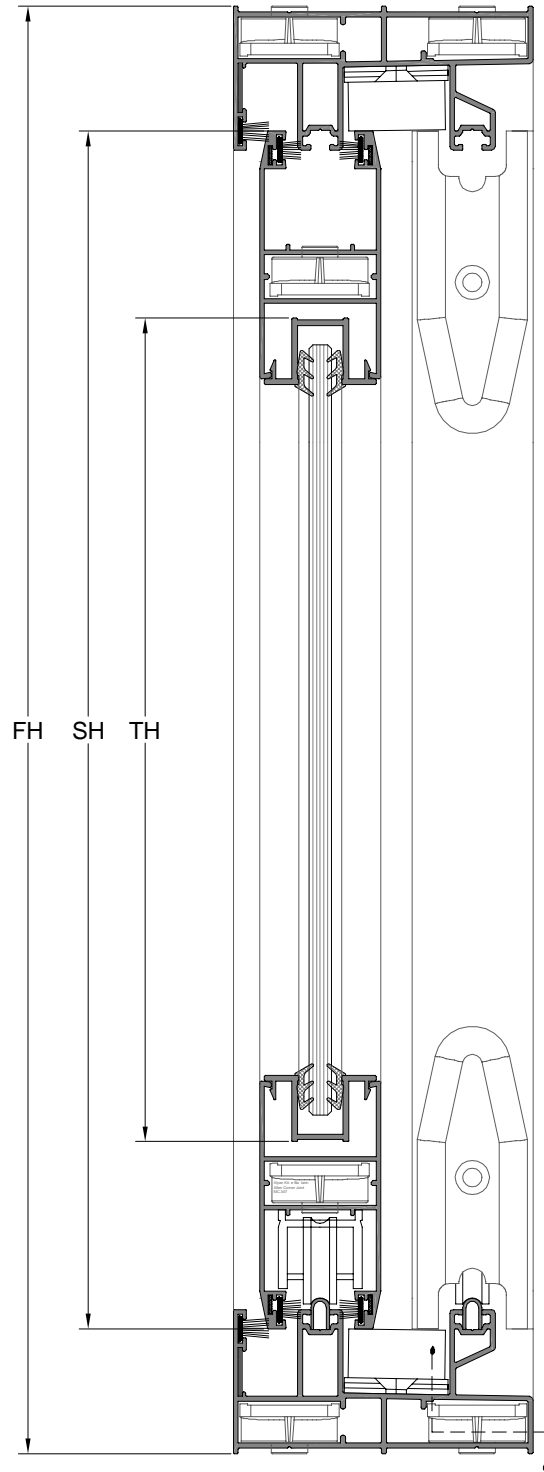








B-B KES T



PROFİLLER / PROFILES

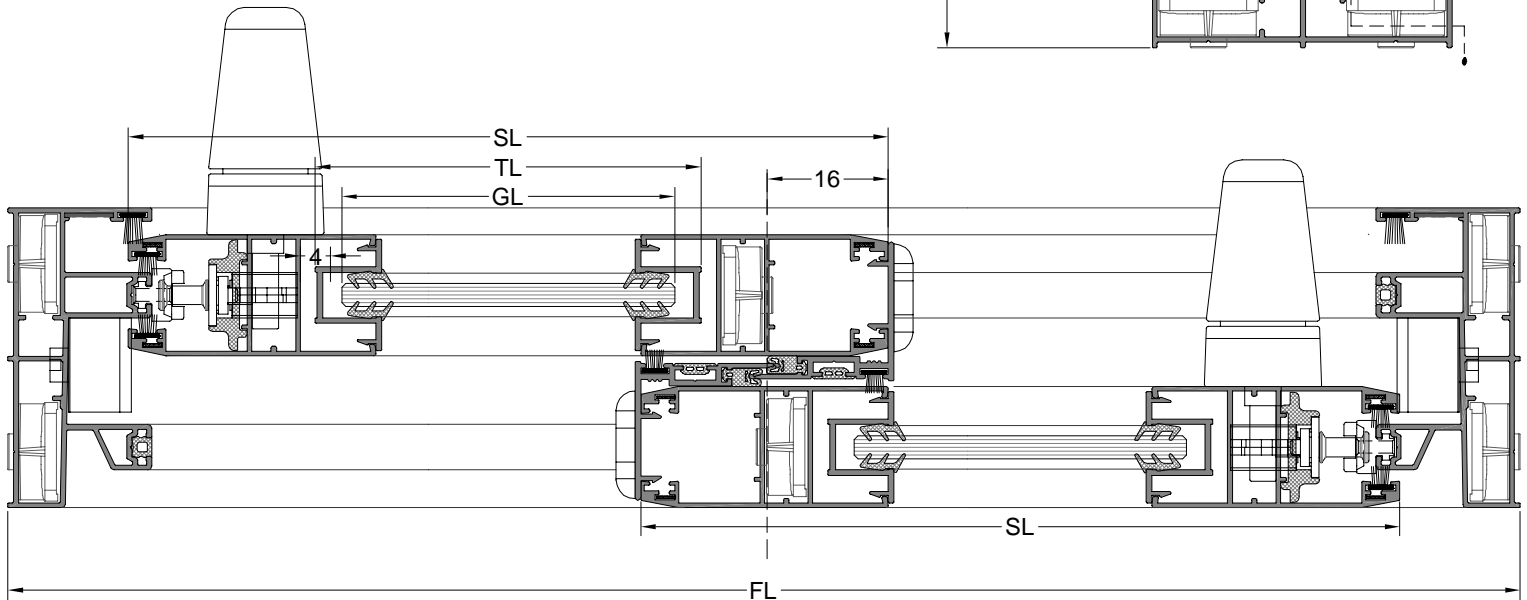
Kod Code	Çizim Drawing	Kesim Cut	Miktar Quantity	Ölçüler Dimensions
14177 Kasa Profili Frame Profile			2Pcs / Adet	FL
			2Pcs / Adet	FH
734 Kanat Profili Sash Profile			4Pcs / Adet	SL=(FL/2)
			4Pcs / Adet	SH=(FH-66)
735 Adaptör Profili Adapter Profile			2Pcs / Adet	TL=(SL-99)
				TH=(SH-134)
14305 Kenet Profili Interlock Profile			2Pcs / Adet	TH=SH

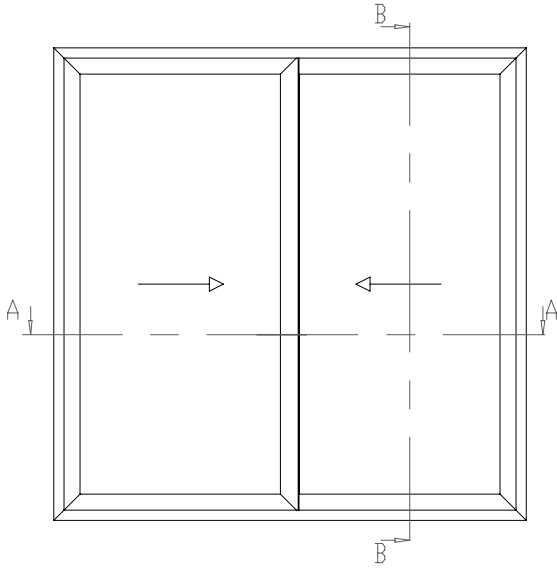
CAM / GLAZING

Kod Code	Çizim Drawing	Miktar Quantity	Ölçüler Dimensions
CAM GLAZING		2 Pcs / Adet	GL = SL-113
			GH = SH-113

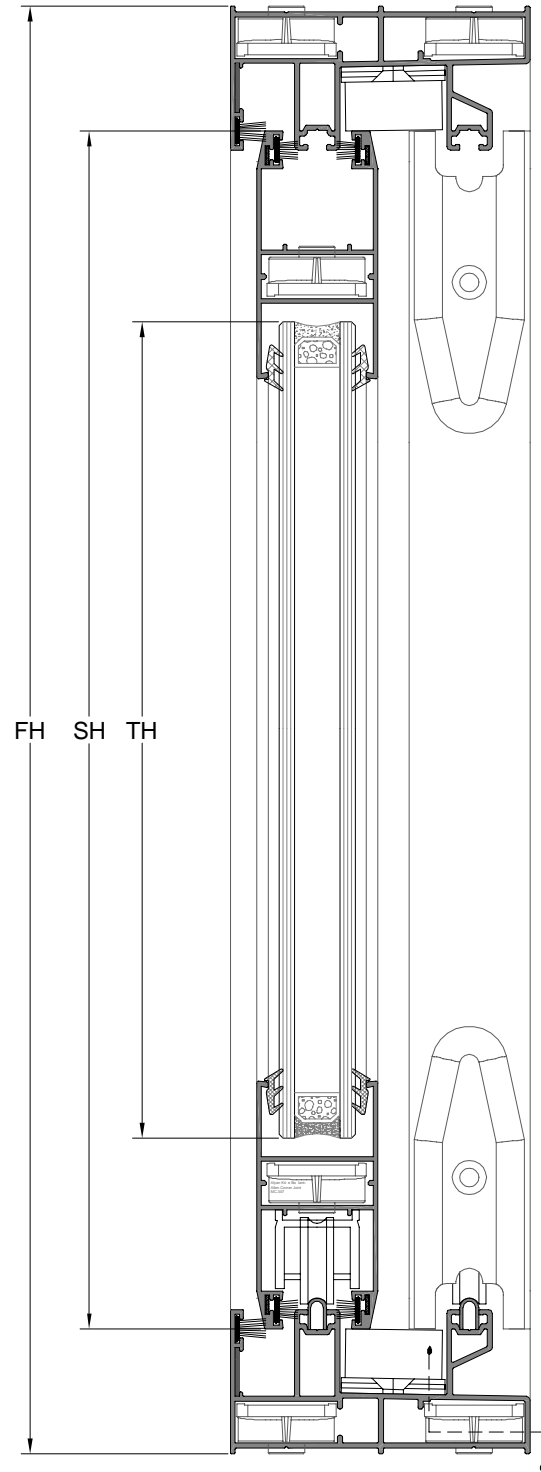
CAM ÖLÇÜLER E T KABUL ED LEREK FORMÜLE ED LM T R.
GLAZING DIMENSIONS ARE ASSUMED TO BE EQUAL.

A-A KES T





B-B KES T



PROFİLLER / PROFILES

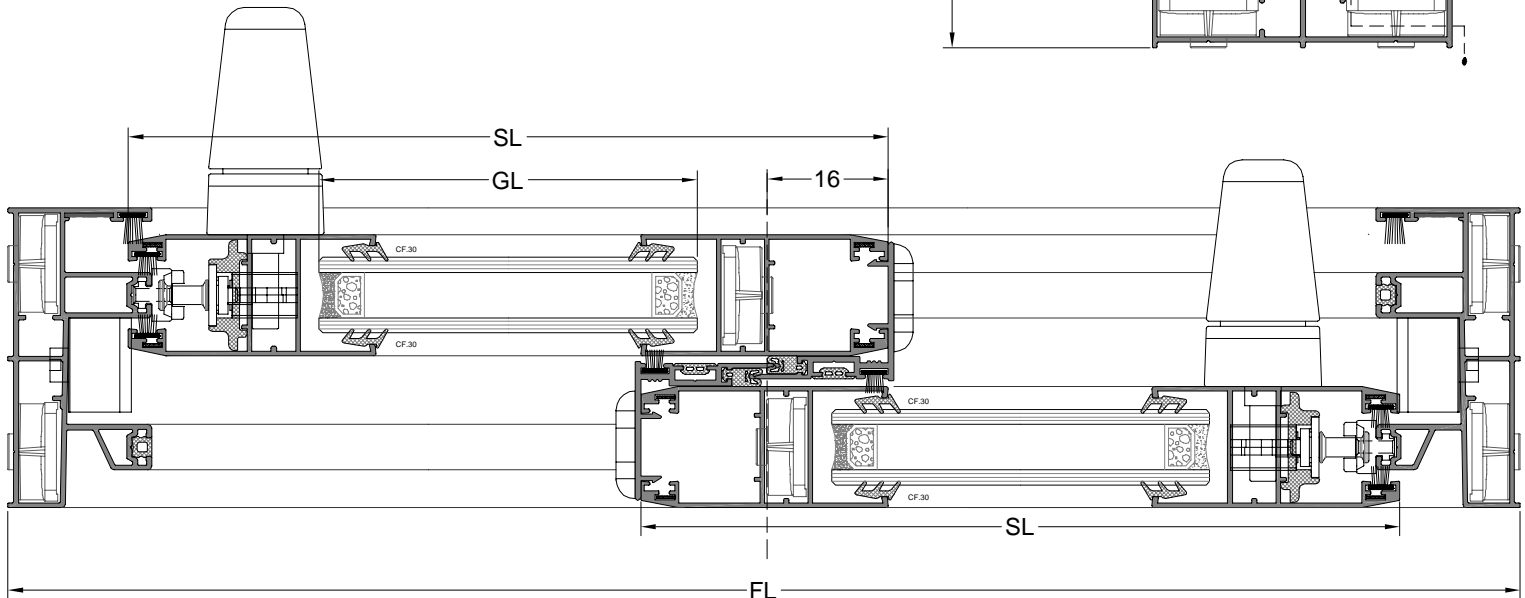
Kod Code	Çizim Drawing	Kesim Cut	Miktar Quantity	Ölçüler Dimensions
14177 Kasa Profili Frame Profile			2Pcs / Adet	FL
			2Pcs / Adet	FH
734 Kanat Profili Sash Profile			4Pcs / Adet	SL=(FL/2)
			4Pcs / Adet	SH=(FH-66)
14305 Kenet Profili Interlock Profile			2Pcs / Adet	TH=SH

CAM / GLAZING

Kod Code	Çizim Drawing	Miktar Quantity	Ölçüler Dimensions
CAM GLAZING		2 Pcs / Adet	GL = SL-101
			GH =SH-101

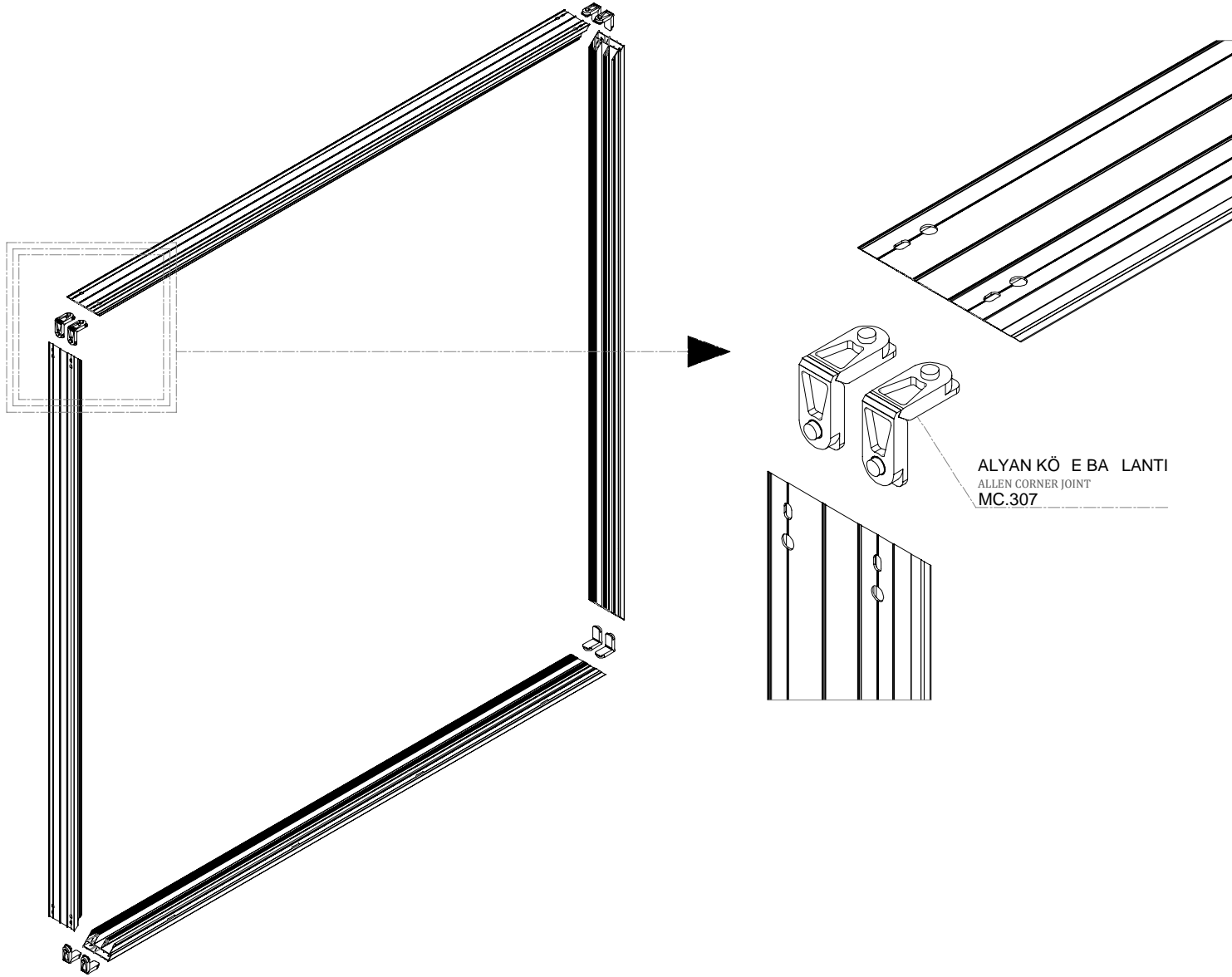
CAM ÖLÇÜLER E T KABUL ED LEREK FORMÜLE ED LM T R.
GLAZING DIMENSIONS ARE ASSUMED TO BE EQUAL.

A-A KES T

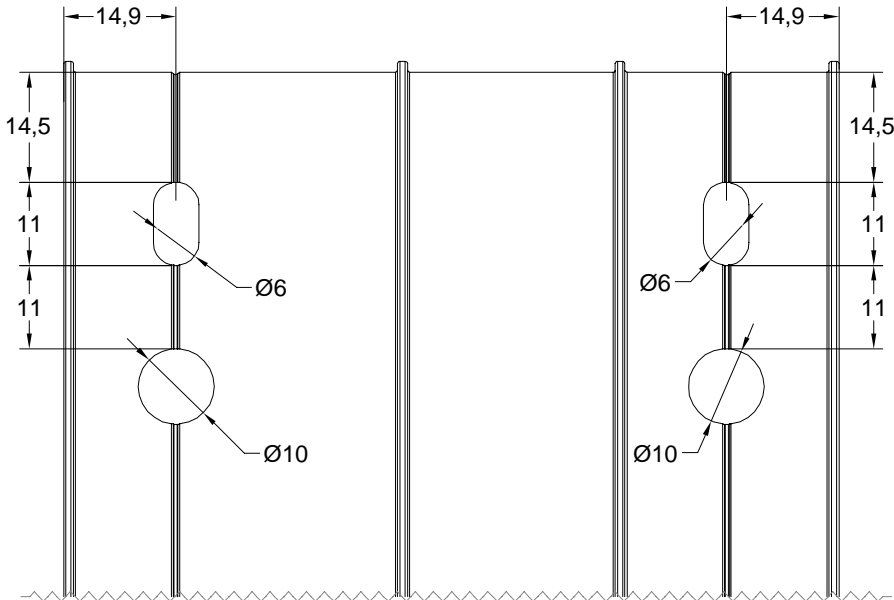




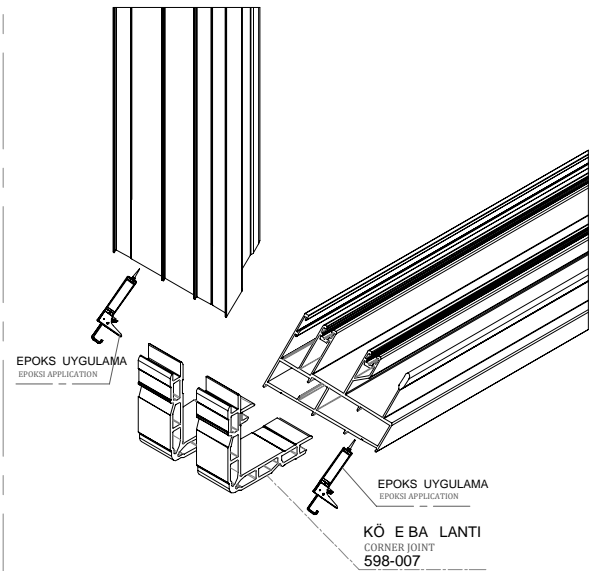
KASA 45 KÖ E BA LANTI MONTAJ DETAYI
FRAME 45 CORNER CONNECTION ASSEMBLY INSTRUCTOINS



ALYAN KÖ E BA LANTI CNC KES M ÖLÇÜLER
ALLEN CORNER JOINT CNC CUTTING DIMENSIONS

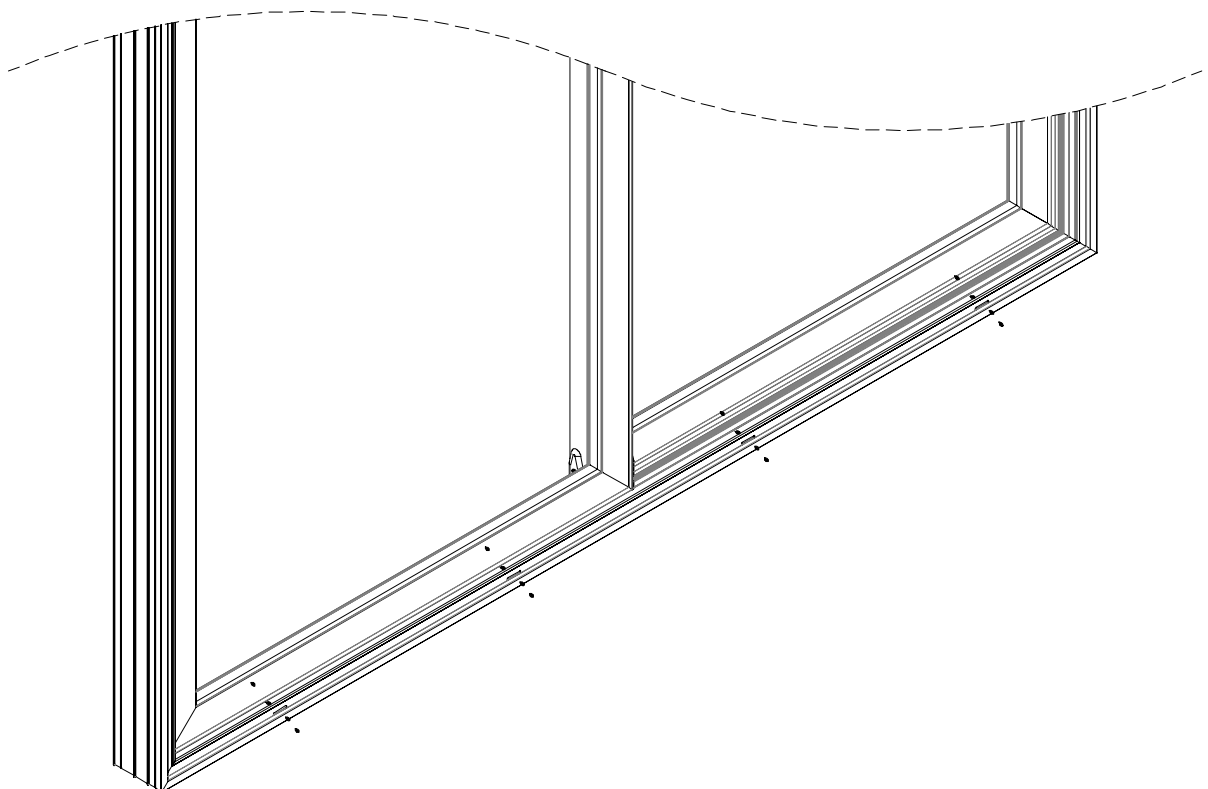
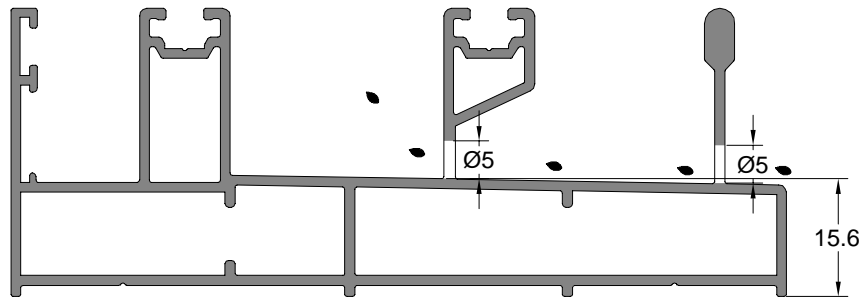
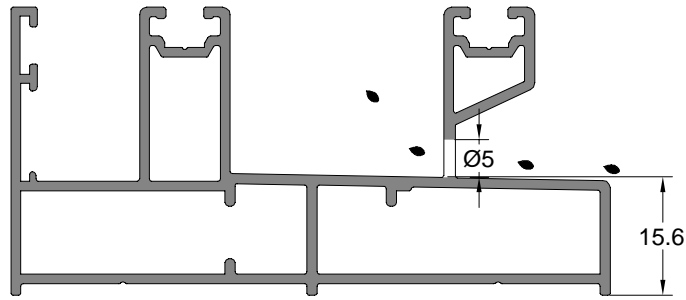
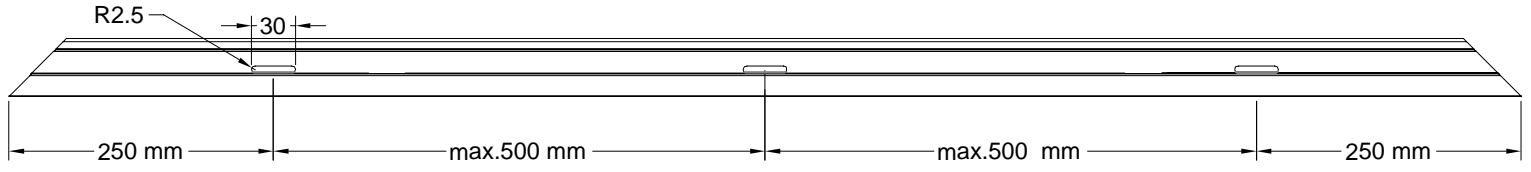


ALTERNAT F BA LANTI (PRES)
ALTERNATIVE CONNECTION (PRESS)



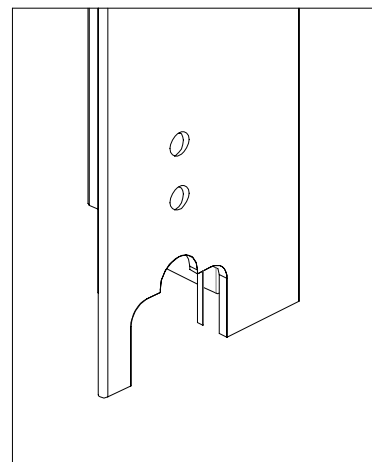
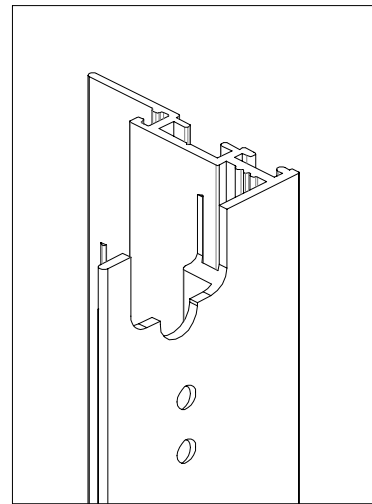
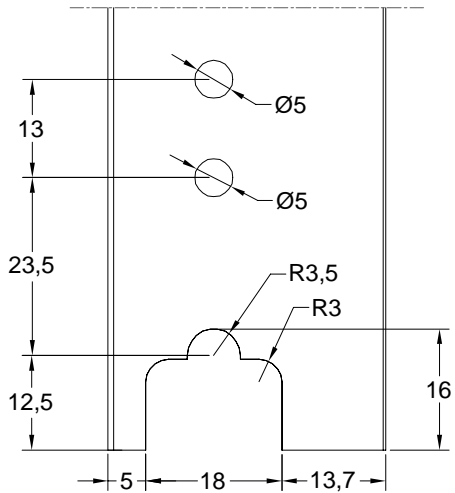
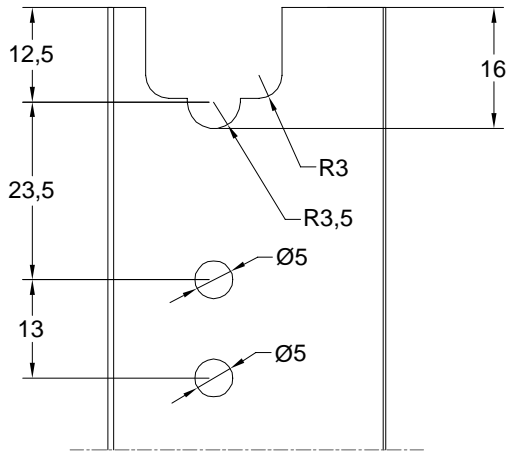
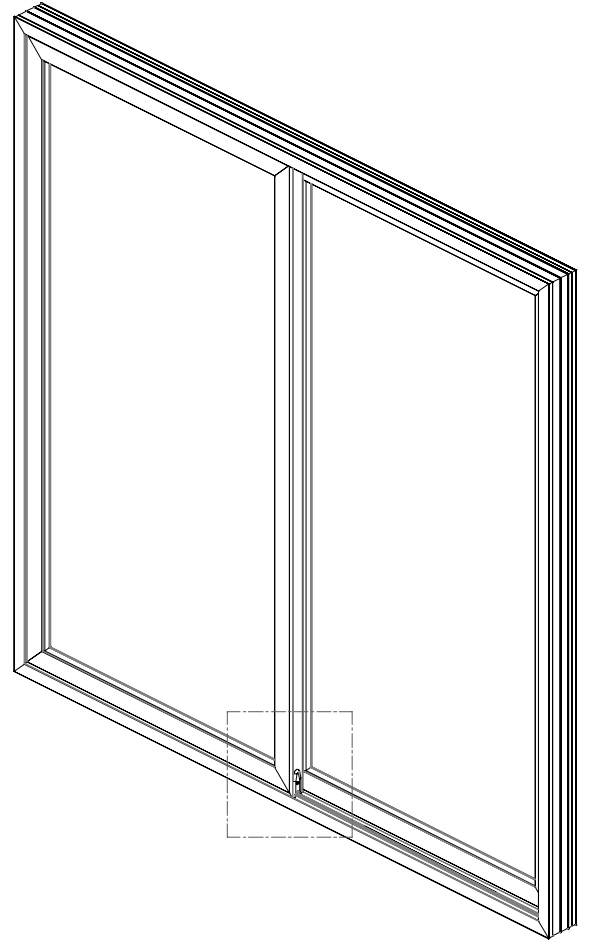
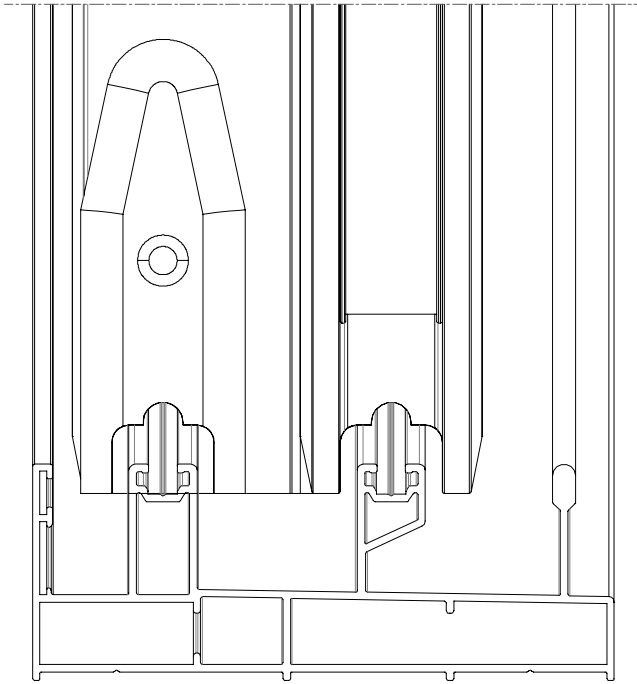


SU TAHL YE DETAYLARI
WATER DRAINAGE DETAILS



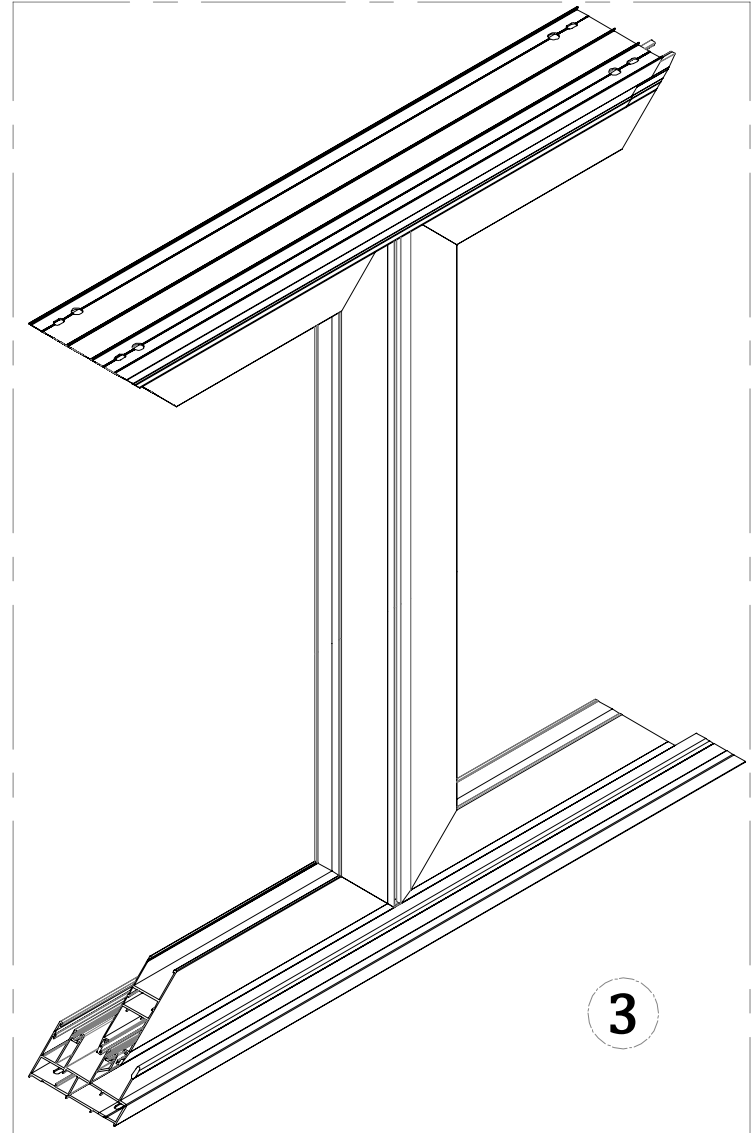
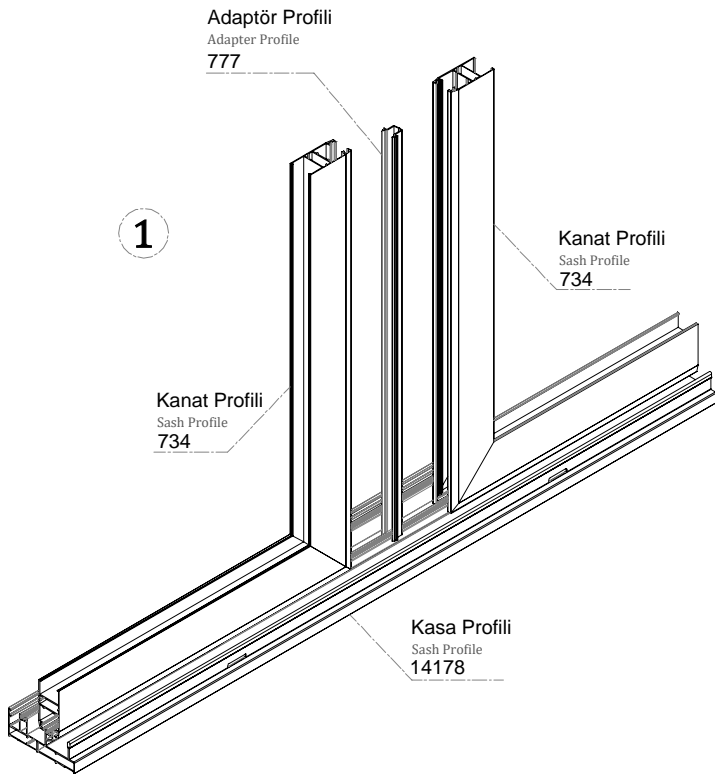
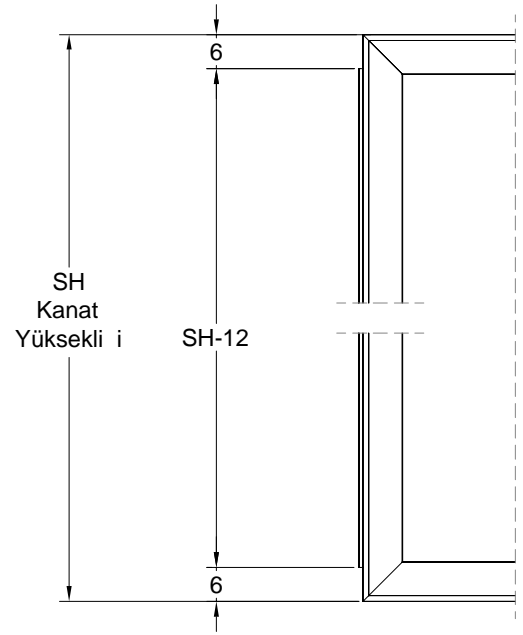
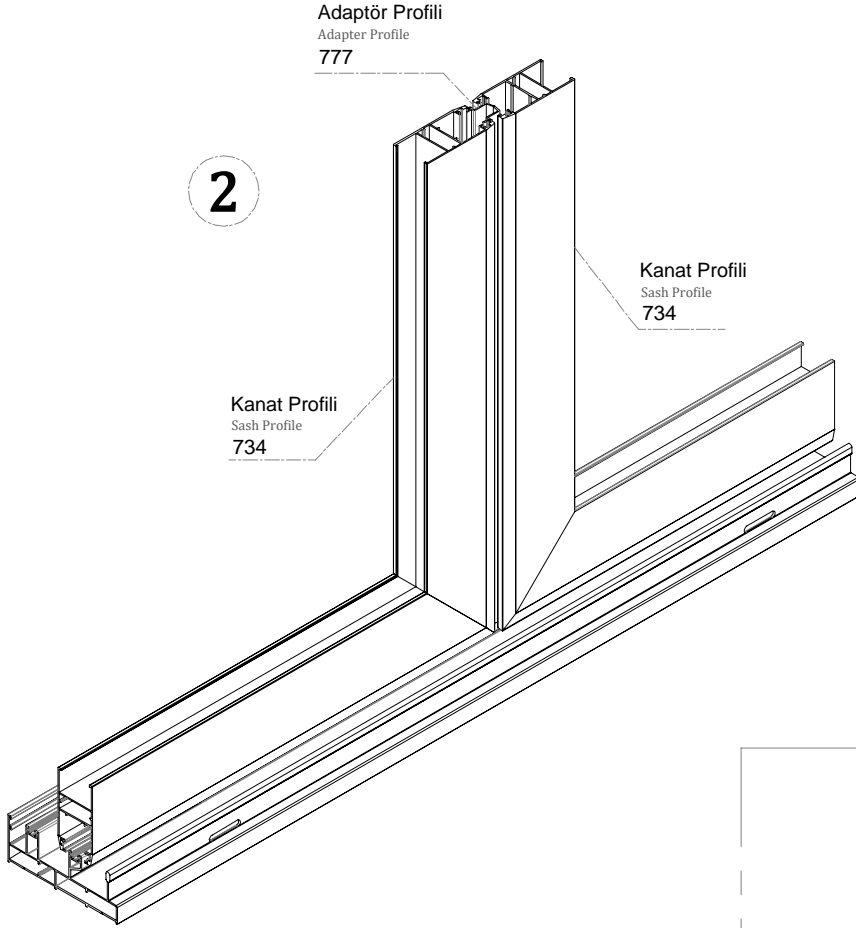


KENET KAPAK MONTAJ DETAYI
INTERLOCKING COVER ASSEMBLY INSTRUCTOINS



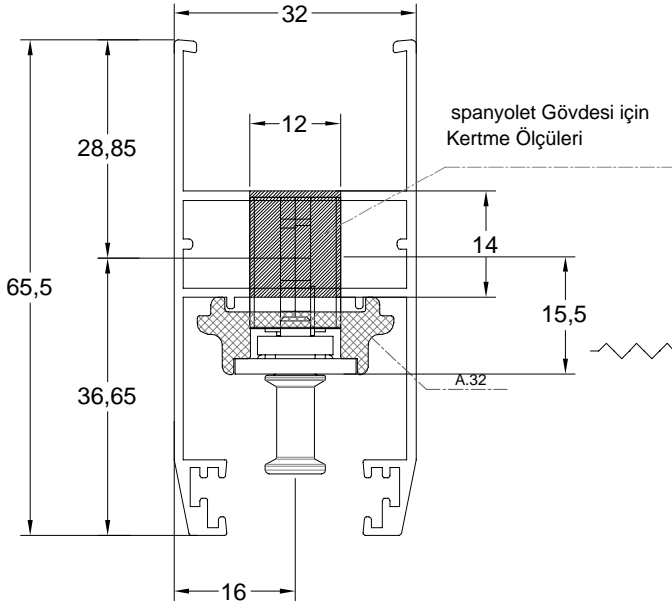


ADAPTÖR (ORTA BİRLEŞİM) MONTAJ DETAYI
ADAPTER (ORTA BİRLEŞİM) ASSEMBLY INSTRUCTIONS





SPANYOLET MONTAJ SLOT ÖLÇÜSÜ
ESPAGNOLETTE ASSEMBLY SLOT DIMENSION



KOL DEL K ÖLÇÜSÜ
HANDLE HOLE DIMENSION

