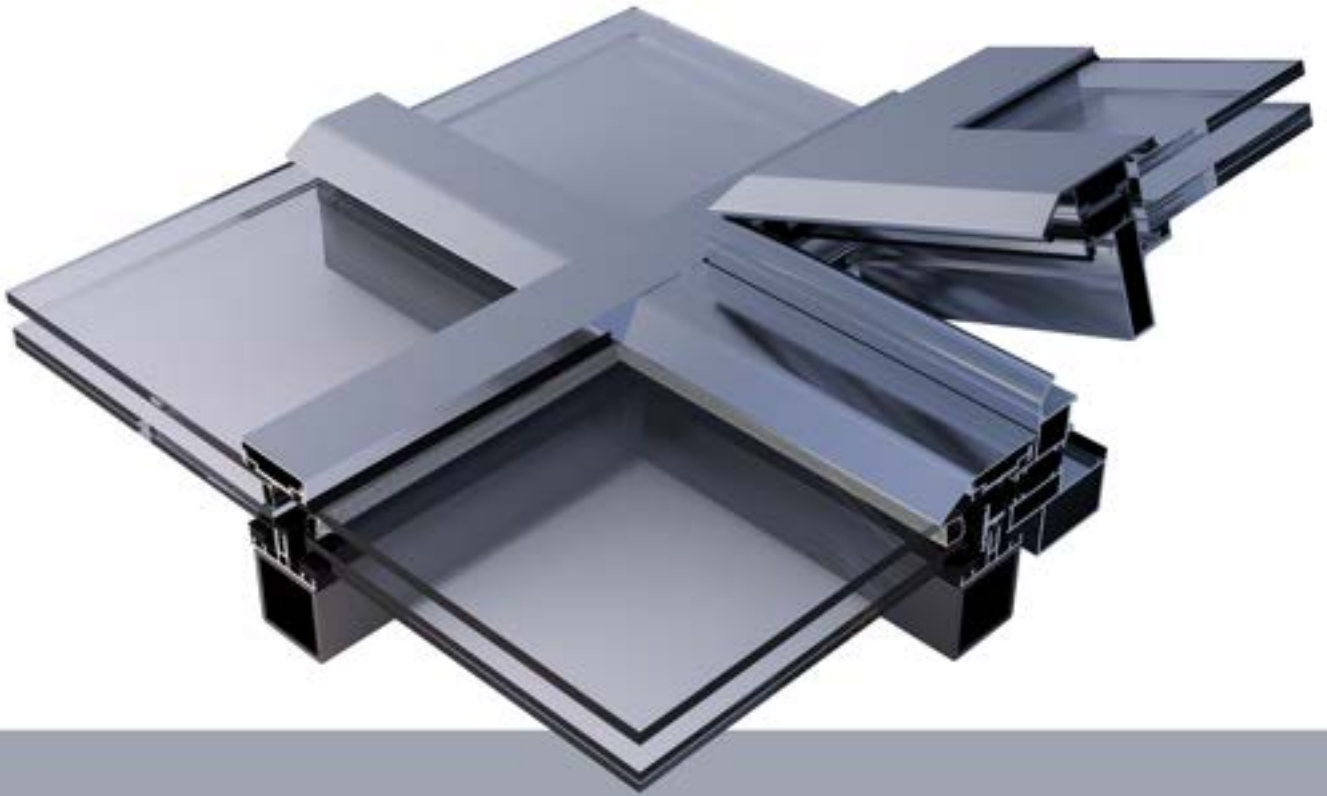
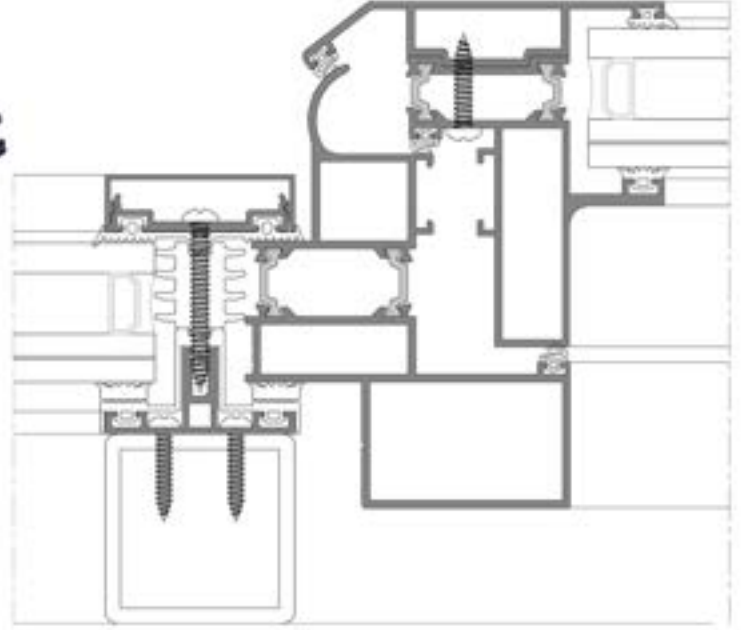
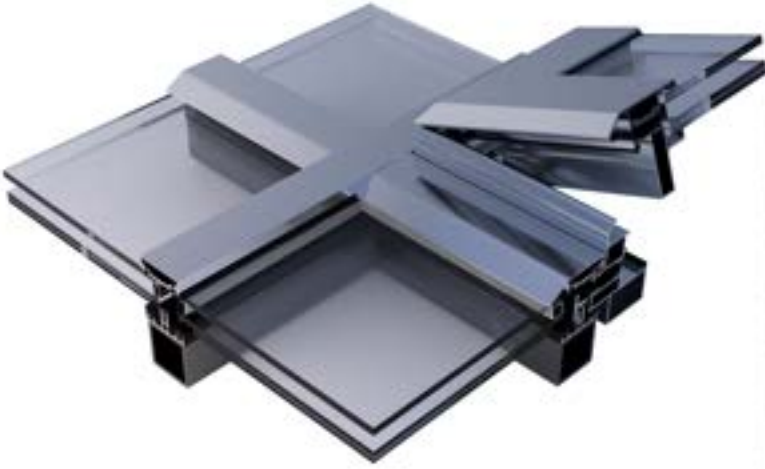


© 2014 HANSON



ECO **SK50**



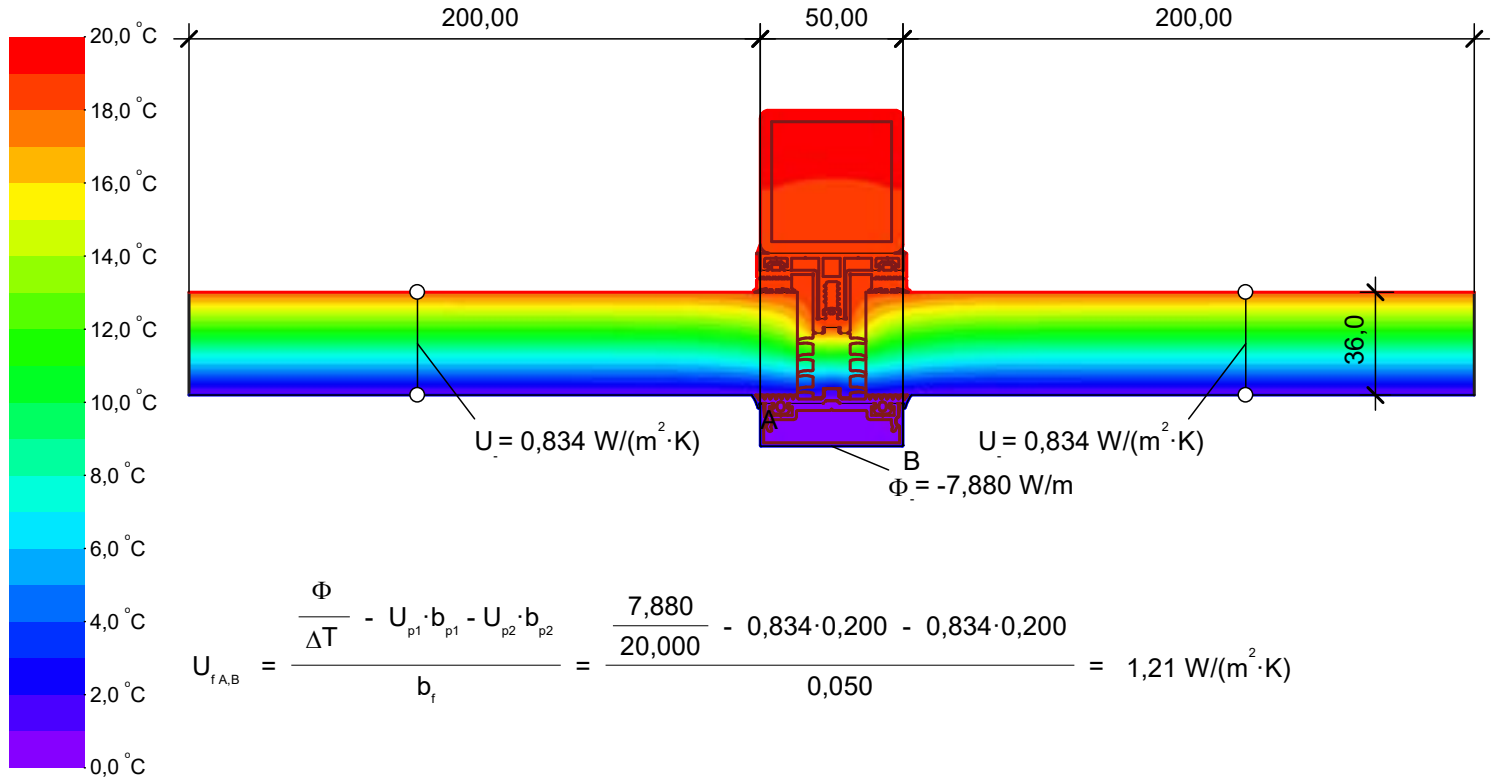
TEKNİK ÖZELLİKLER / TECHNICAL PROPERTIES

PROFİL GENİŞLİĞİ / PROFILE WIDTH	50 mm
PROFİL ET KALINLIĞI / PROFILE WALL THICKNESS	1,8 - 2,0 mm
DÜŞEY-YATAY TAŞIYICI PROFİL YÜKSEKLİĞİ / MULLION -TRANSOM PROFILE HEIGHT	23 mm
AÇILIR KANAT MAKS. CAM KALINLIĞI / OPENING SASH GLAZING THICKNESS	36,76 mm (8/16/6.6)
CAM KALINLIĞI (SABİT UYGULAMALAR İÇİN) / GLAZING THICKNESS (FOR FIXED APPLICATION)	20 - 36,76 mm
ISI YALITIM DEĞERİ / THERMAL INSULATION VALUE (UF)	1,21 - 4,44 W/(m².K)

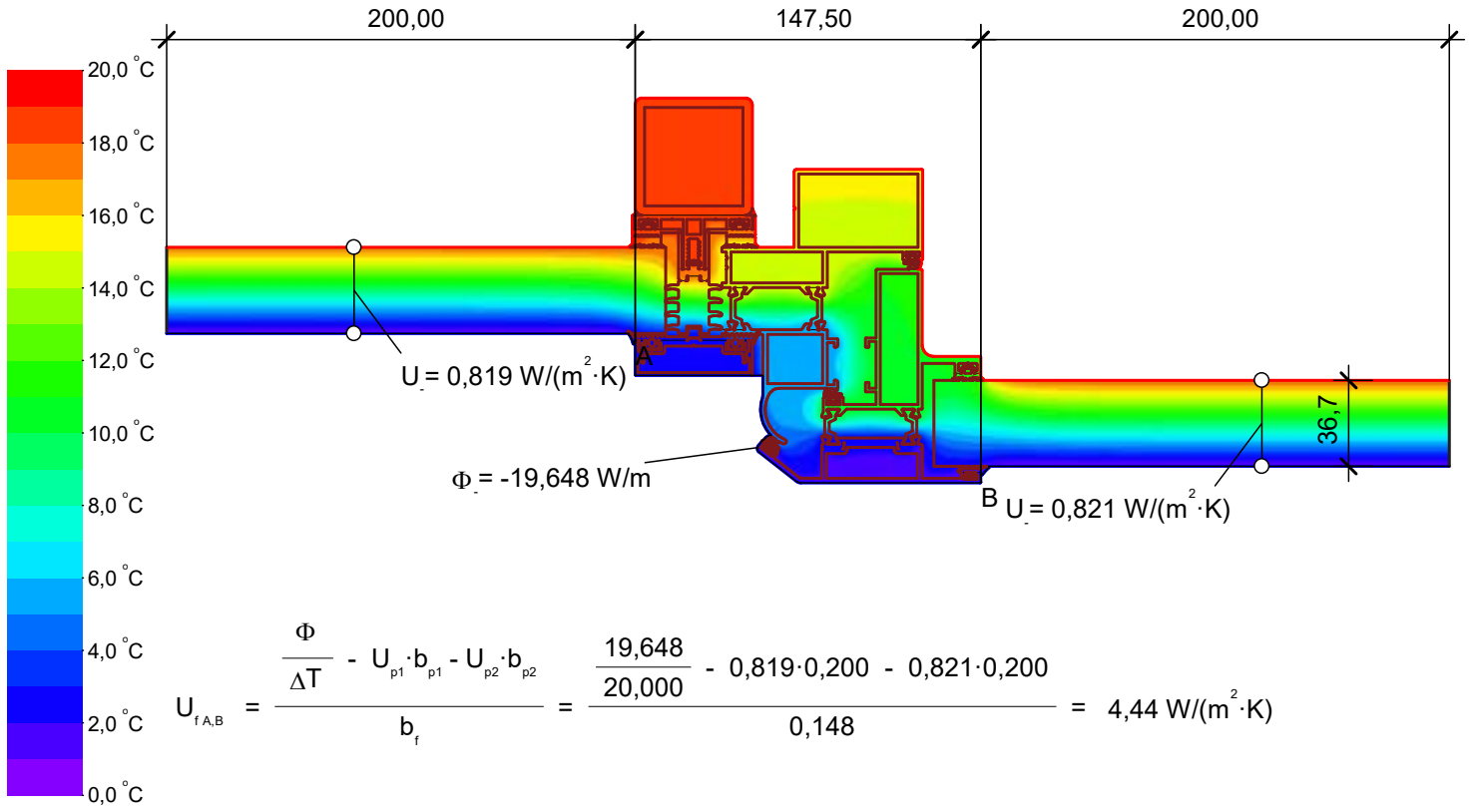
UYGULAMA SEÇENEKLERİ / APPLICATION OPTIONS

Kapaklı Cephe / Covered Facade

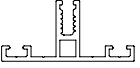
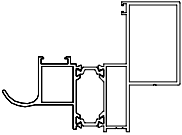
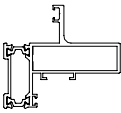


















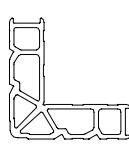
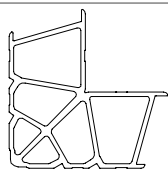
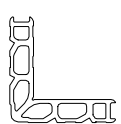
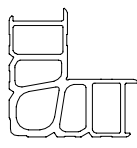


Material	λ [W/(m·K)]	ϵ	Boundary Condition	q [W/m ²]	θ [°C]	R [(m ² ·K)/W]	ϵ
Aluminium (Si Alloys)	160,000	0,900	Epsilon 0.9				0,900
EPDM (ethylene propylene diene monomer)	0,250	0,900	Exterior, frame		0,000	0,040	
Panel	0,035	0,900	Interior, normal, horizontal		20,000	0,130	
Pe Foam	0,035	0,900	Symmetry/Model section	0,000			
Slightly ventilated air cavity	anisotropic						
Stainless steel, austenitic or austenitic-ferritic (1)	17,000	0,900					
Unventilated air cavity	anisotropic						



Material	λ [W/(m·K)]	ε	Boundary Condition	q [W/m ²]	θ [°C]	R [(m ² ·K)/W]	ε
Aluminium (Si Alloys)	160,000	0,900	Epsilon 0.9				0,900
EPDM (ethylene propylene diene monomer)	0,250	0,900	Exterior, frame		0,000	0,040	
Panel	0,035	0,900	Interior, normal, horizontal		20,000	0,130	
Pe Foam	0,035	0,900	Symmetry/Model section	0,000			
Polyamid 6.6 with 25% glass fibre	0,300	0,900					
Slightly ventilated air cavity	anisotropic						
Stainless steel, austenitic or austenitic-ferritic (1)	17,000	0,900					
Unventilated air cavity	anisotropic						

PROF L KES T PROFILE SECTION	PROF L KODU PROFILE CODE	PROF L ADI PROFILE NAME	Jx cm ⁴	Jy cm ⁴	A IRLIK (kg/m) WEIGHT
	13253	DÜ EY-YATAY TA IYICI PROF L VERTICAL-HORIZONTAL CARRIER PROFILE	9,70 cm ⁴	32,53 cm ⁴	0,451 kg/m
	12298-13859	KASA PROF L FRAME PROFILE	26,30 cm ⁴	47,63 cm ⁴	2,621 kg/m
	12300-12301	KANAT PROF L SASH PROFILE	33,45 cm ⁴	18,69 cm ⁴	1,724 kg/m
	12303	KANAT EK PROF L SUB-SASH PROFILE	21,90 cm ⁴	1,32 cm ⁴	0,946 kg/m
	13254	KAPAK ALTI PROF L UNDER COVER PROFILE	-	-	0,384 kg/m
	5048	KAPAK ALTI PROF L UNDER COVER PROFILE	-	-	0,466 kg/m
	5124	KAPAK ALTI PROF L UNDER COVER PROFILE	-	-	0,430 kg/m
	7619	KAPAK ALTI PROF L UNDER COVER PROFILE	-	-	0,337 kg/m
	13255	KAPAK PROF L COVER PROFILE	-	-	0,249 kg/m
	13088	KAPAK PROF L COVER PROFILE	-	-	0,272 kg/m
	2006	KAPAK PROF L COVER PROFILE	-	-	0,385 kg/m
	5123	KAPAK PROF L COVER PROFILE	-	-	0,340 kg/m
	2009	KAPAK PROF L COVER PROFILE	-	-	0,439 kg/m
	5046	KAPAK PROF L COVER PROFILE	-	-	0,334 kg/m
	5045	KAPAK PROF L COVER PROFILE	-	-	0,380 kg/m
	13089	KAPAK PROF L COVER PROFILE	-	-	0,728 kg/m
	2049	KAPAK PROF L COVER PROFILE	-	-	0,331 kg/m
	2050	KAPAK PROF L COVER PROFILE	-	-	0,403 kg/m
	5047	E ML KAPAK PROF L INCLINED COVER PROFILE	-	-	0,369 kg/m

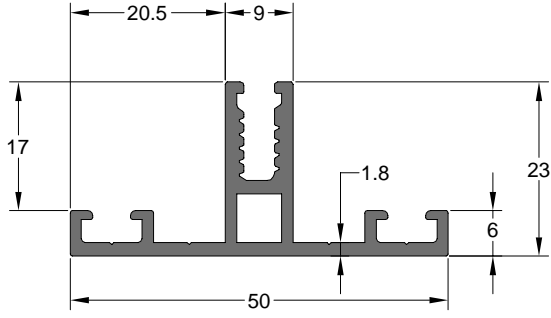
PROF L KES T PROFILE SECTION	PROF L KODU PROFILE CODE	PROF L ADI PROFILE NAME	$Jx \text{ cm}^4$	$Jy \text{ cm}^4$	A IRLIK (kg/m) WEIGHT
	3546	KÖ E TAKOZ PROF L CORNER WEDGE PROFILE	-	-	3,357 kg/m
	3547	KÖ E TAKOZ PROF L CORNER WEDGE PROFILE	-	-	4,884 kg/m
	1695	KÖ E TAKOZ PROF L CORNER WEDGE PROFILE	-	-	2,540 kg/m
	1697	KÖ E TAKOZ PROF L CORNER WEDGE PROFILE	-	-	4,212 kg/m

AKSESUAR ACCESSORY	STOK KODU REFERENCE CODE	AKSESUAR ADI DESCRIPTION	AKSESUAR KODU PRODUCT CODE	PAKET PACK
	AKS7067	DÜ EY Ç CAM F T L VERTICAL INNER GLAZING GASKET	SK50ECO-DF.08	22 mt / paket 10 kg
	AKS7066	YATAY Ç CAM F T L HORIZONTAL INNER GLAZING GASKET	SK50ECO-YF.08	23 mt / paket 10 kg
	AKS1237	CEPHE CAM F T L (3 mm) FACADE GLAZING GASKET (3 mm)	SK50ECO-CF.03	169 mt / paket 10 kg
	AKS1238	CEPHE CAM F T L (4 mm) FACADE GLAZING GASKET (4 mm)	SK50ECO-CF.04	128 mt / paket 10 kg
	AKS1239	CEPHE CAM F T L (5 mm) FACADE GLAZING GASKET (5 mm)	SK50ECO-CF.05	128 mt / paket 10 kg
	AKS1241	CEPHE CAM F T L (6 mm) FACADE GLAZING GASKET (6 mm)	SK50ECO-CF.06	94 mt / paket 10 kg
	AKS1242	CEPHE CAM F T L (7 mm) FACADE GLAZING GASKET (7 mm)	SK50ECO-CF.07	92 mt / paket 10 kg
	AKS1243	CEPHE CAM F T L (8 mm) FACADE GLAZING GASKET (8 mm)	SK50ECO-CF.08	87 mt / paket 10 kg
	AKS1244	CEPHE CAM F T L (9 mm) FACADE GLAZING GASKET (9 mm)	SK50ECO-CF.09	80 mt / paket 10 kg
	AKS5034	CEPHE BASKI F T L FACADE GASKET	SK50ECO-SKY.812	60 mt / paket 10 kg/mt

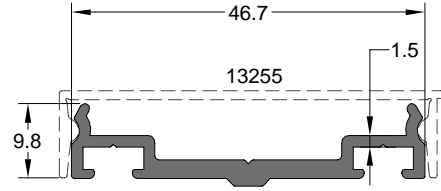
ÖLÇEK:1/2

AKSESUAR ACCESSORY	STOK KODU REFERENCE CODE	AKSESUAR ADI DESCRIPTION	AKSESUAR KODU PRODUCT CODE	PAKET PACK
	AKS4160	KAPAK ALTI DI CAM F T L SUB-COVER OUTER GLAZING GASKET	SK50ECO-BKF.30	52 mt / paket 10 kg
	AKS1289	KAPAK ALTI DI CAM F T L UNDER COVER OUTER GLAZING GASKET	SK50ECO-KF.30	136 mt / paket 10 kg
	AKS1287	KASA VE KANAT B N F T L FRAME AND SASH THOUSAND GASKET	SK50ECO-KBF.56	238 mt / paket 10 kg
	AKS1254	DI CAM F T L OUTER GLAZING GASKET	SK50ECO-DCF.30	196 mt / paket 10 kg
	AKS1375	PVC GEÇ ADAPTÖRÜ BASKI F T L PVC TRANSITION ADAPTER PRESS GASKET	SK50ECO-KYF.03	215 mt / paket 10 kg/mt
 ÖLÇEK:1/1	AKS5069	PVC GEÇ ADAPTÖR PROF L PVC TRANSITION ADAPTER PROFILE	SK50ECO-GAP.69	20 boy / 1 pk
	AKS64	S STEM KAPI MENTE E (ELOKSALLI) SYSTEM DOOR HINGE (ANODIZED)	SK50ECO-KM.111	10 ad / 1 pk
	AKS65	S STEM KAPI MENTE E (BEYAZ) SYSTEM DOOR HINGE (WHITE)	SK50ECO-KM.112	10 ad / 1 pk
	AKS66	S STEM KAPI MENTE E (RENKL) SYSTEM DOOR HINGE (COLORED)	SK50ECO-KM.113	10 ad / 1 pk
	AKS7058	CAM ALTI TAKOZU (50 mm) SUB-GLAZING WEDGE (50 mm)	SK50ECO-CAT.50	100 ad / 1 pk
	AKS1440	10 MM DERZ DOLGU F T L 10 MM LINE GASKET	SK50ECO-DDF.103	1 pk / 900 mt
	AKS2155	1,5x40mm Ç FT TARAFLI NORTON BANT 1,5x40mm DOUBLE SIDED NORTON TAPE	SK50ECO-NB.40	1 rulo / 40 mt

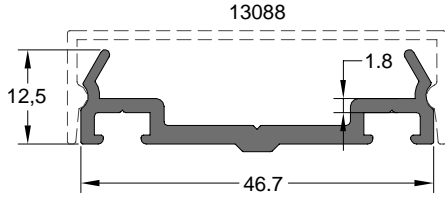
AKSESUAR ACCESSORY	STOK KODU REFERENCE CODE	AKSESUAR ADI DESCRIPTION	AKSESUAR KODU PRODUCT CODE	PAKET PACK
	AKS2121	S L KON (S YAH) SILICON (BLACK)	SK50ECO-SLK.230	1 koli / 24 ad
	AKS7193	POL ET LEN KÖPÜK PE(POLYTHENE) FOAM	SK50ECO-PE.24	1 rulo / 25 mt
	AKS7194	POL ET LEN KÖPÜK PE(POLYTHENE) FOAM	SK50ECO-PE.26	1 rulo / 25 mt
	AKS7195	POL ET LEN KÖPÜK PE(POLYTHENE) FOAM	SK50ECO-PE.28	1 rulo / 25 mt
	AKS7196	POL ET LEN KÖPÜK PE(POLYTHENE) FOAM	SK50ECO-PE.30	1 rulo / 25 mt
	AKS7197	POL ET LEN KÖPÜK PE(POLYTHENE) FOAM	SK50ECO-PE.34	1 rulo / 25 mt
	AKS7198	POL ET LEN KÖPÜK PE(POLYTHENE) FOAM	SK50ECO-PE.36	1 rulo / 25 mt
	AKS2365	Ø4.2X25 mm YSB SAC V DA Ø4.2X25 mm CURVED TOP SCREW	SK50ECO-SC.27	250 ad / paket
	AKS2274	Ø4.8X22 mm YSB SAC V DA Ø4.8X22 mm CURVED TOP SCREW	SK50ECO-SC.219	250 ad / paket
	AKS2347	Ø4.8X25 mm YSB SAC V DA Ø4.8X25 mm CURVED TOP SCREW	SK50ECO-SC.937	250 ad / paket
	AKS2348	Ø4.8X32 mm YSB SAC V DA Ø4.8X32 mm CURVED TOP SCREW	SK50ECO-SC.938	250 ad / paket
	AKS2349	Ø4.8X38 mm YSB SAC V DA Ø4.8X32 mm CURVED TOP SCREW	SK50ECO-SC.939	250 ad / paket
	AKS2350	Ø4.8X45 mm YSB SAC V DA Ø4.8X32 mm CURVED TOP SCREW	SK50ECO-SC.940	250 ad / paket
	AKS2351	Ø4.8X50 mm YSB SAC V DA Ø4.8X32 mm CURVED TOP SCREW	SK50ECO-SC.941	250 ad / paket
	AKS2352	Ø4.8X60 mm YSB SAC V DA Ø4.8X32 mm CURVED TOP SCREW	SK50ECO-SC.942	250 ad / paket



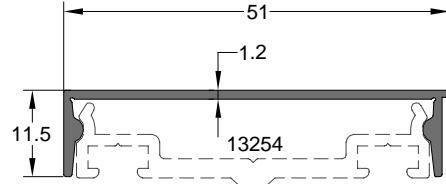
Düey-Yatay Taşıyıcı Profili VERTICAL-HORIZONTAL CARRIER PROFILE	Profil Kodu Profile Code	(kg/mt) weight	Jx cm ⁴	Jy cm ⁴
	13253	0,451	9,70	32,53



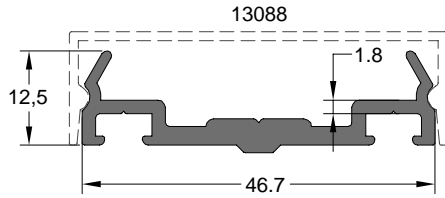
Kapak Altı Profili COVER UNDER PROFILE	Profil Kodu Profile Code	(kg/mt) weight
	13254	0,384



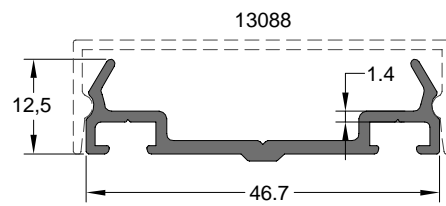
Kapak Altı Profili COVER UNDER PROFILE	Profil Kodu Profile Code	(kg/mt) Weight
	5124	0,430



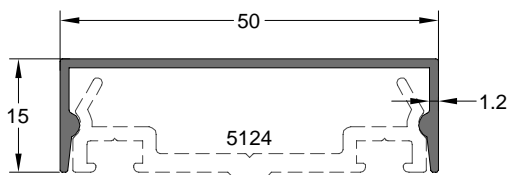
Kapak Profili COVER PROFILE	Profil Kodu Profile Code	(kg/mt) weight
	13255	0,249



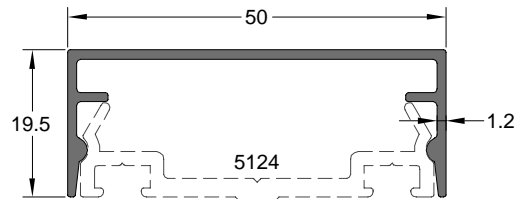
Kapak Altı Profili COVER UNDER PROFILE	Profil Kodu Profile Code	(kg/mt) Weight
	5048	0,466



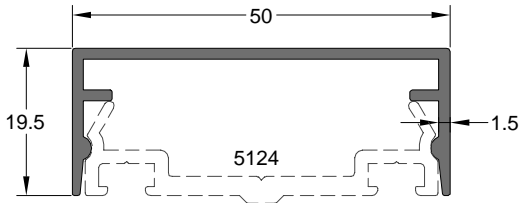
Kapak Altı Profili COVER UNDER PROFILE	Profil Kodu Profile Code	(kg/mt) Weight
	7619	0,337



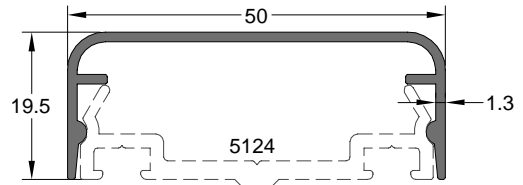
Kapak Profili COVER PROFILE	Profil Kodu Profile Code	(kg/mt) Weight
	13088	0,272



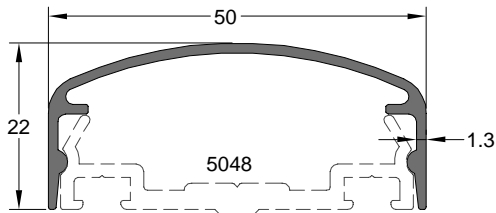
Kapak Profili COVER PROFILE	Profil Kodu Profile Code	(kg/mt) Weight
	5123	0,340



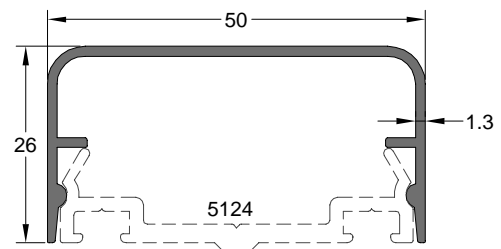
Kapak Profili	Profil Kodu	(kg/mt)
COVER PROFILE	Profile Code	Weight
	2006	0,385



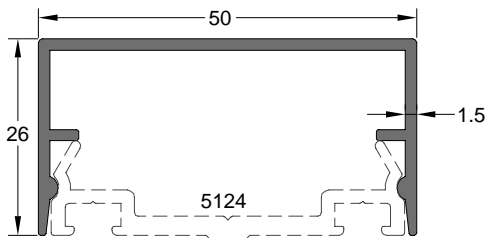
Kapak Profili	Profil Kodu	(kg/mt)
COVER PROFILE	Profile Code	Weight
	5046	0,334



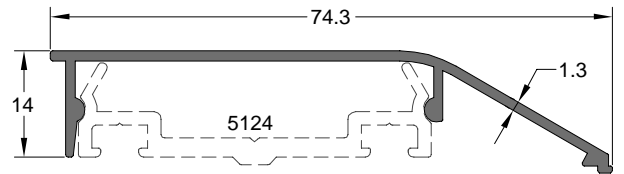
Kapak Profili	Profil Kodu	(kg/mt)
COVER PROFILE	Profile Code	Weight
	2049	0,331



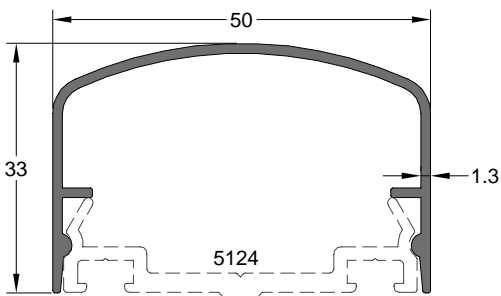
Kapak Profili	Profil Kodu	(kg/mt)
COVER PROFILE	Profile Code	Weight
	5045	0,380



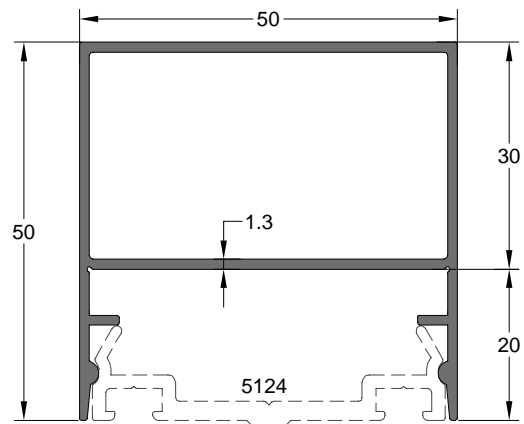
Kapak Profili	Profil Kodu	(kg/mt)
COVER PROFILE	Profile Code	Weight
	2009	0,439



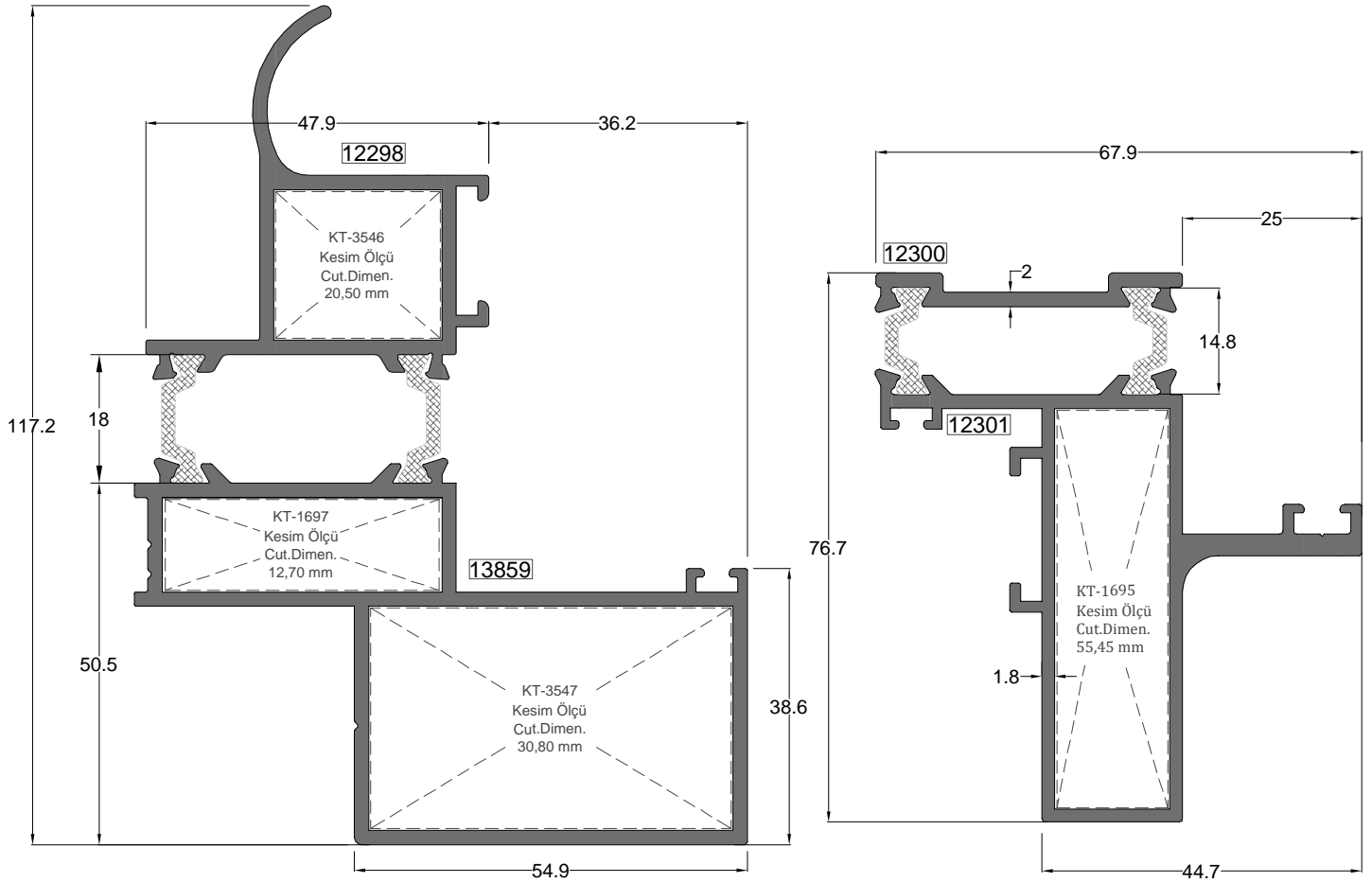
E imli Kapak Profili	Profil Kodu	(kg/mt)
INCLINED COVER PROFILE	Profile Code	Weight
	5047	0,369



Kapak Profili	Profil Kodu	(kg/mt)
COVER PROFILE	Profile Code	Weight
	2050	0,403

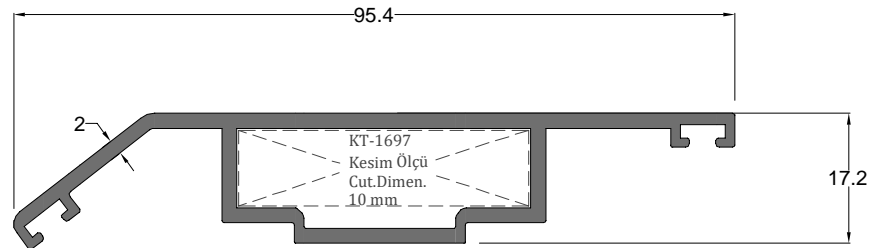


Kapak Profili	Profil Kodu	(kg/mt)
COVER PROFILE	Profile Code	Weight
	13089	0,728

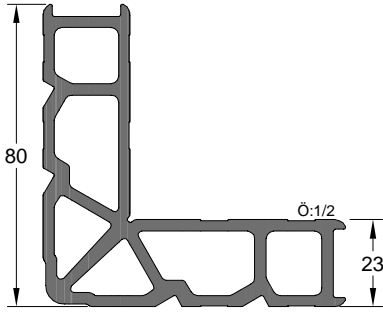


Kasa Profili	Profil Kodu	(kg/mt)	Jx cm	Jy cm
FRAME PROFILE	12298-13859	2,621	26,30	47,63

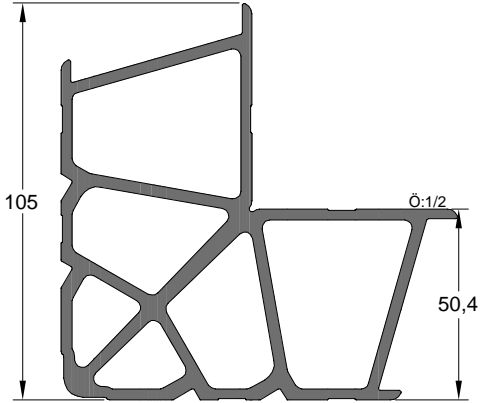
Kanat Profili	Profil Kodu	(kg/mt)	Jx cm	Jy cm
SASH PROFILE	12300-12301	1,724	33,45	18,69



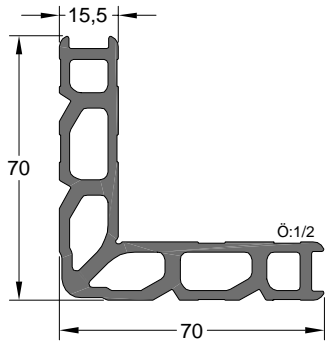
Kanat Ek Profili	Profil Kodu	(kg/mt)	Jx cm	Jy cm
SUB-SASH PROFILE	12303	0,946	21,90	1,32



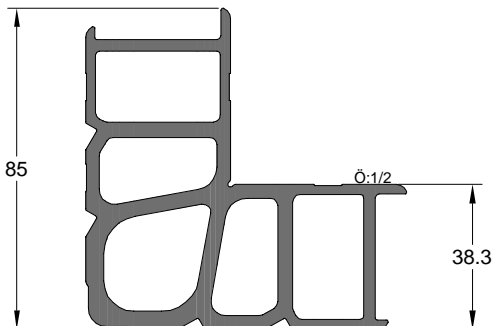
Kö e Takoz Profili CORNER WEDGE PROFILE		Profil Kodu Profile Code	(kg/mt) Weight
		3546	3,357
Kö e Takoz Profil Kodu Corner WedgeProfile Code	Kullanıldı ı Profil Used Profile	Kesim Boyu (mm) Cutting Length (mm)	
3546	12298	20,50 mm	



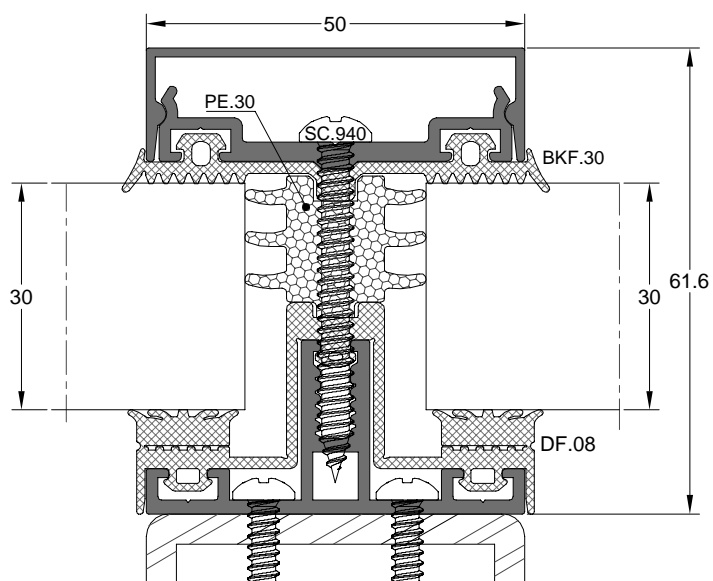
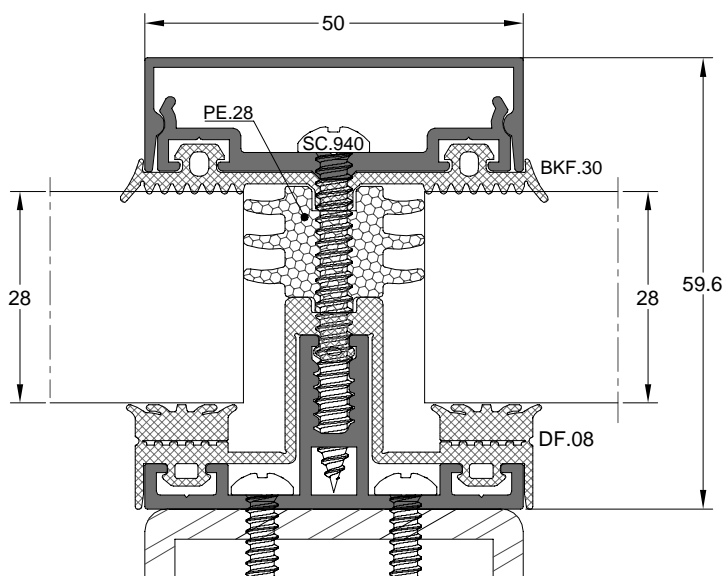
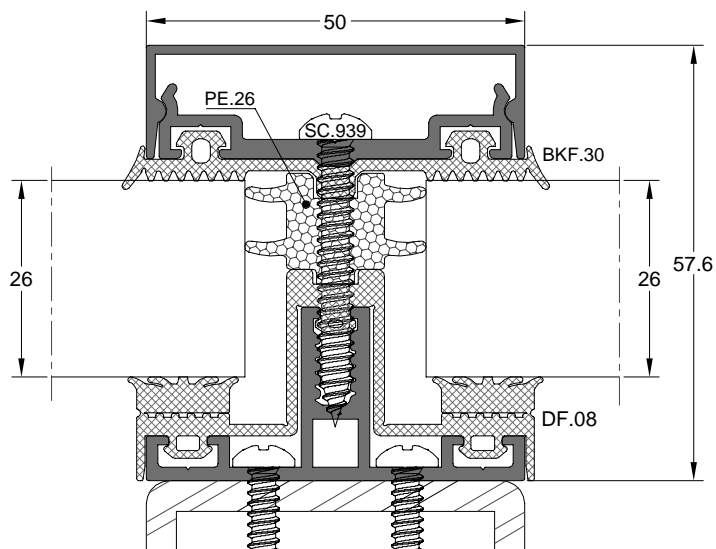
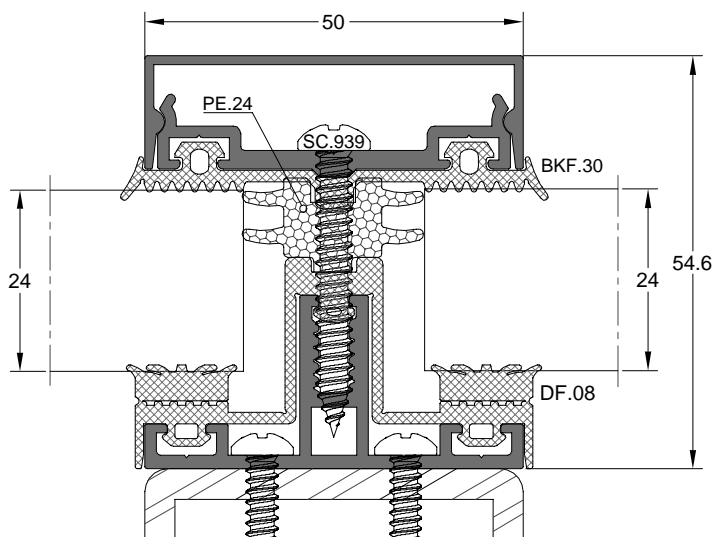
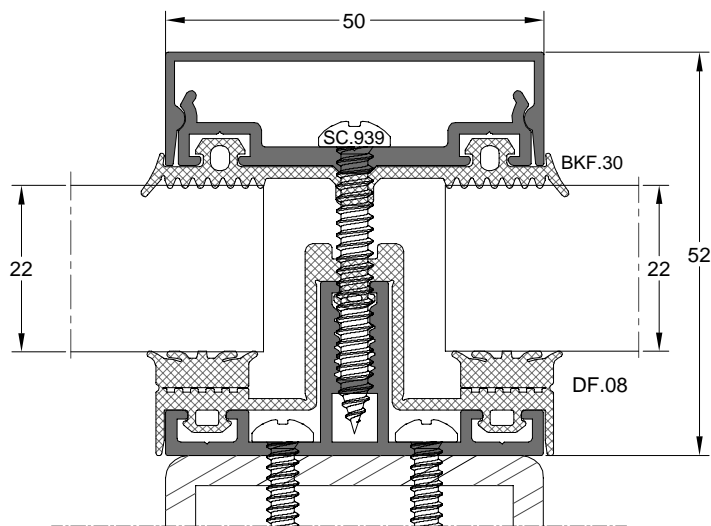
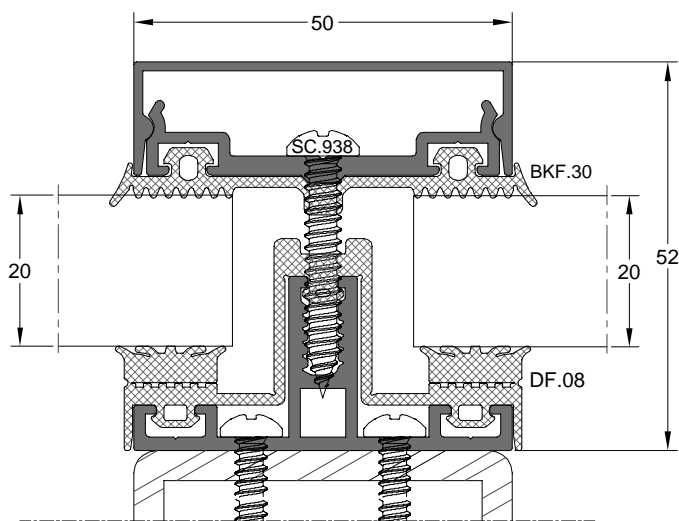
Kö e Takoz Profili CORNER WEDGE PROFILE		Profil Kodu Profile Code	(kg/mt) Weight
		3547	4,884
Kö e Takoz Profil Kodu Corner WedgeProfile Code	Kullanıldı ı Profil Used Profile	Kesim Boyu (mm) Cutting Length (mm)	
3547	13859	30,80 mm	

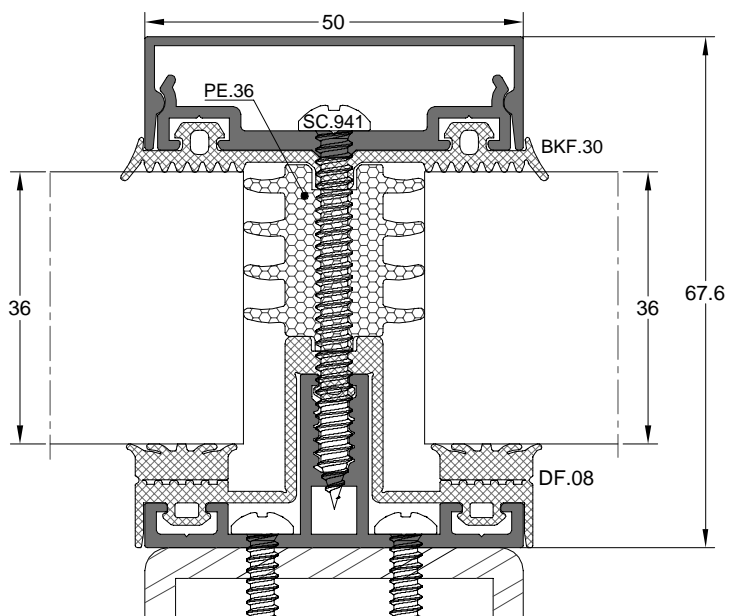
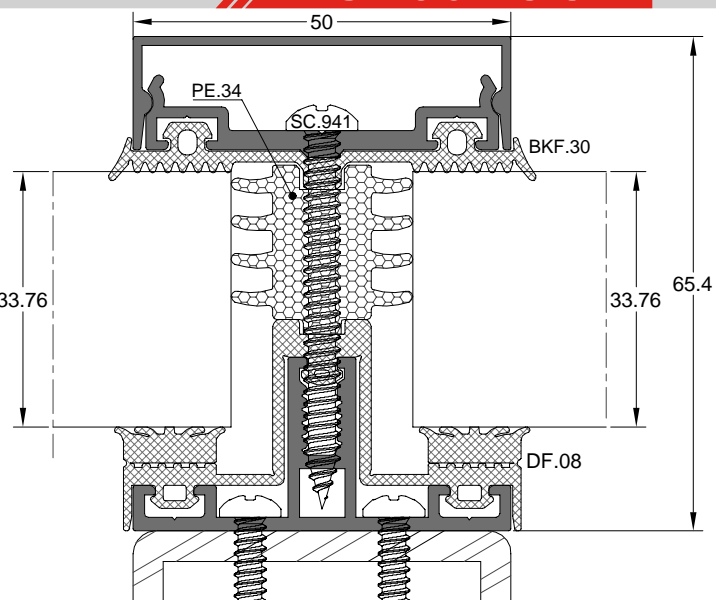
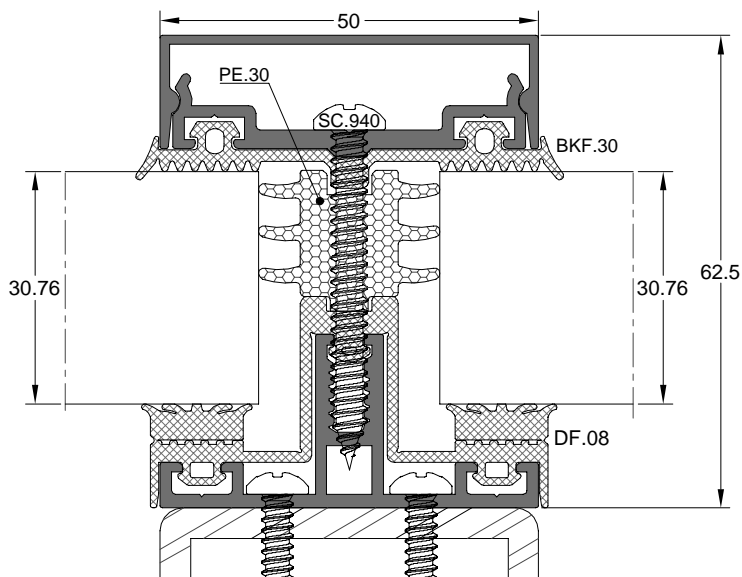


Kö e Takoz Profili CORNER WEDGE PROFILE		Profil Kodu Profile Code	(kg/mt) Weight
		1695	2,540
Kö e Takoz Profil Kodu Corner WedgeProfile Code	Kullanıldı ı Profil Used Profile	Kesim Boyu (mm) Cutting Length (mm)	
1695	12301	55,45 mm	

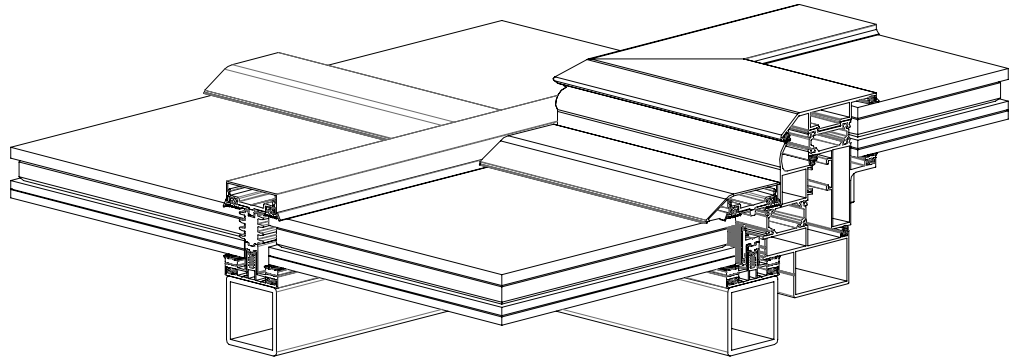


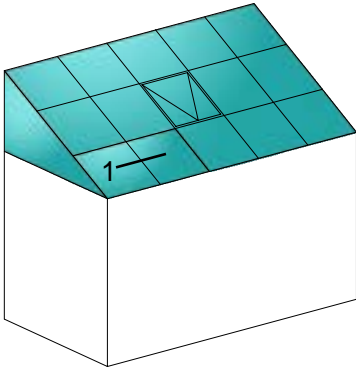
Kö e Takoz Profili CORNER WEDGE PROFILE		Profil Kodu Profile Code	(kg/mt) Weight
		1697	4,212
Kö e Takoz Profil Kodu Corner WedgeProfile Code	Kullanıldı ı Profil Used Profile	Kesim Boyu (mm) Cutting Length (mm)	
1697	12303	10,00 mm	
	13859	12,70 mm	



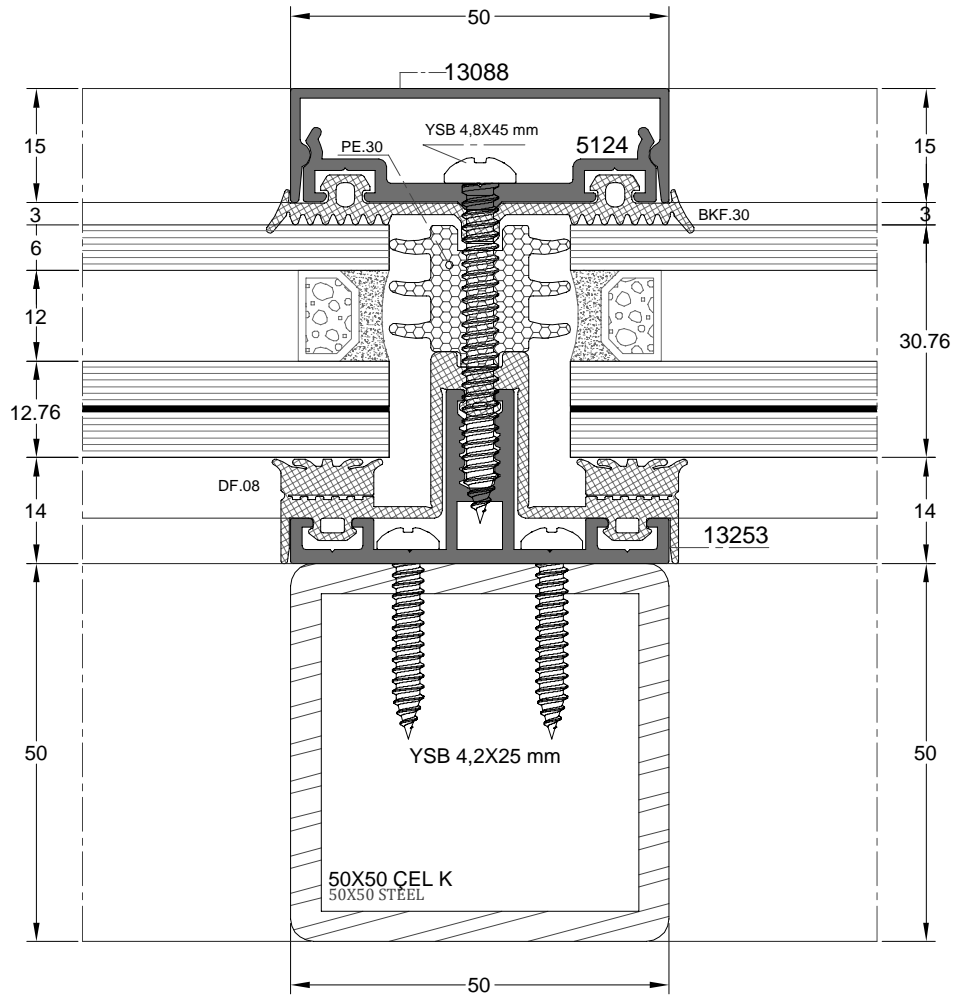


SK50ECO IŐIKLIK SİSTEMİ DETAYLARI SK50ECO SKYLIGHT DETAILS



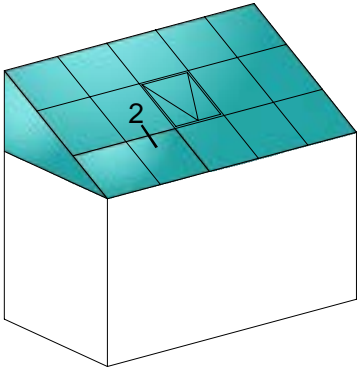


DI
(OUTSIDE)

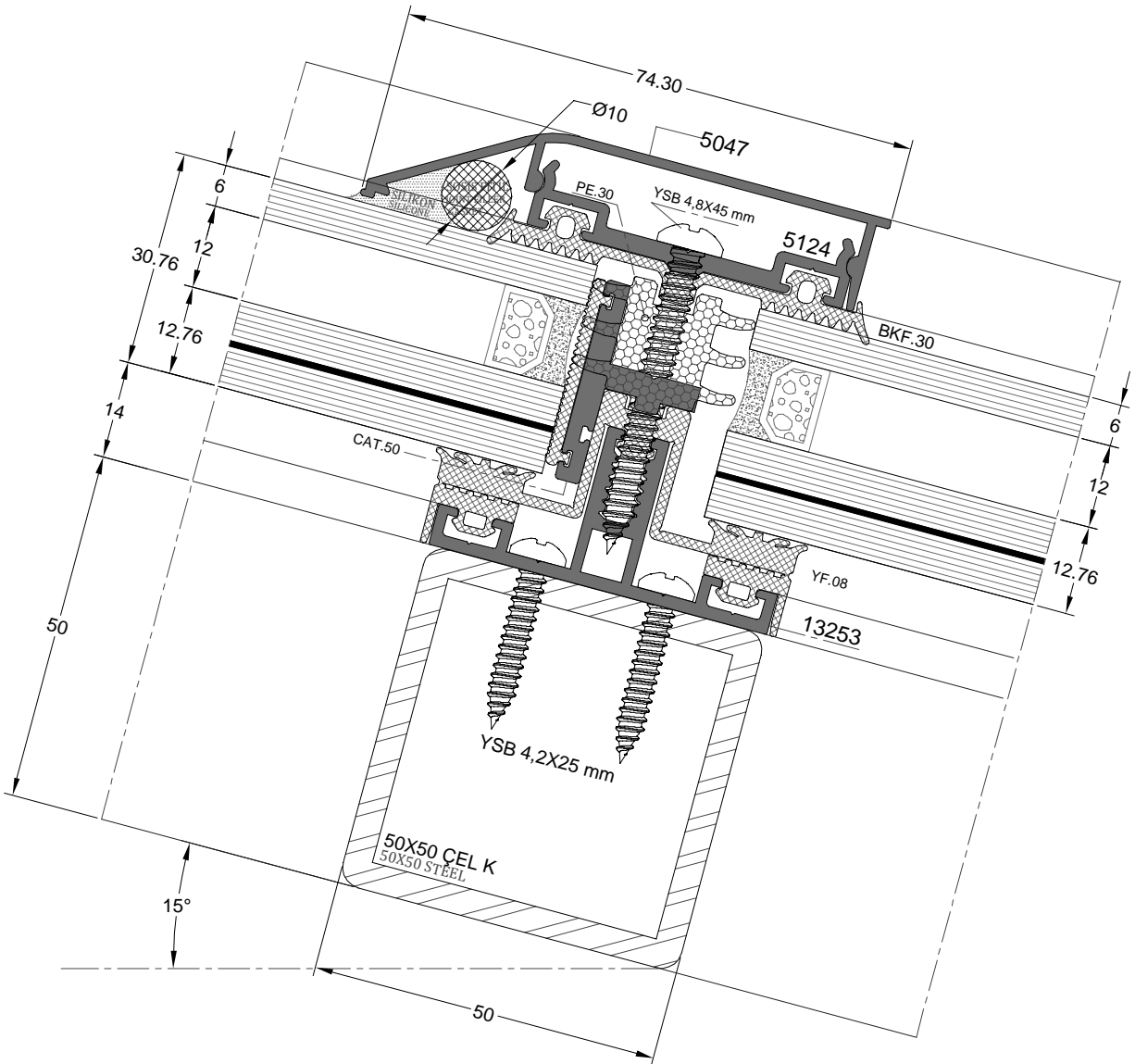


D-1

Ç
(INSIDE)

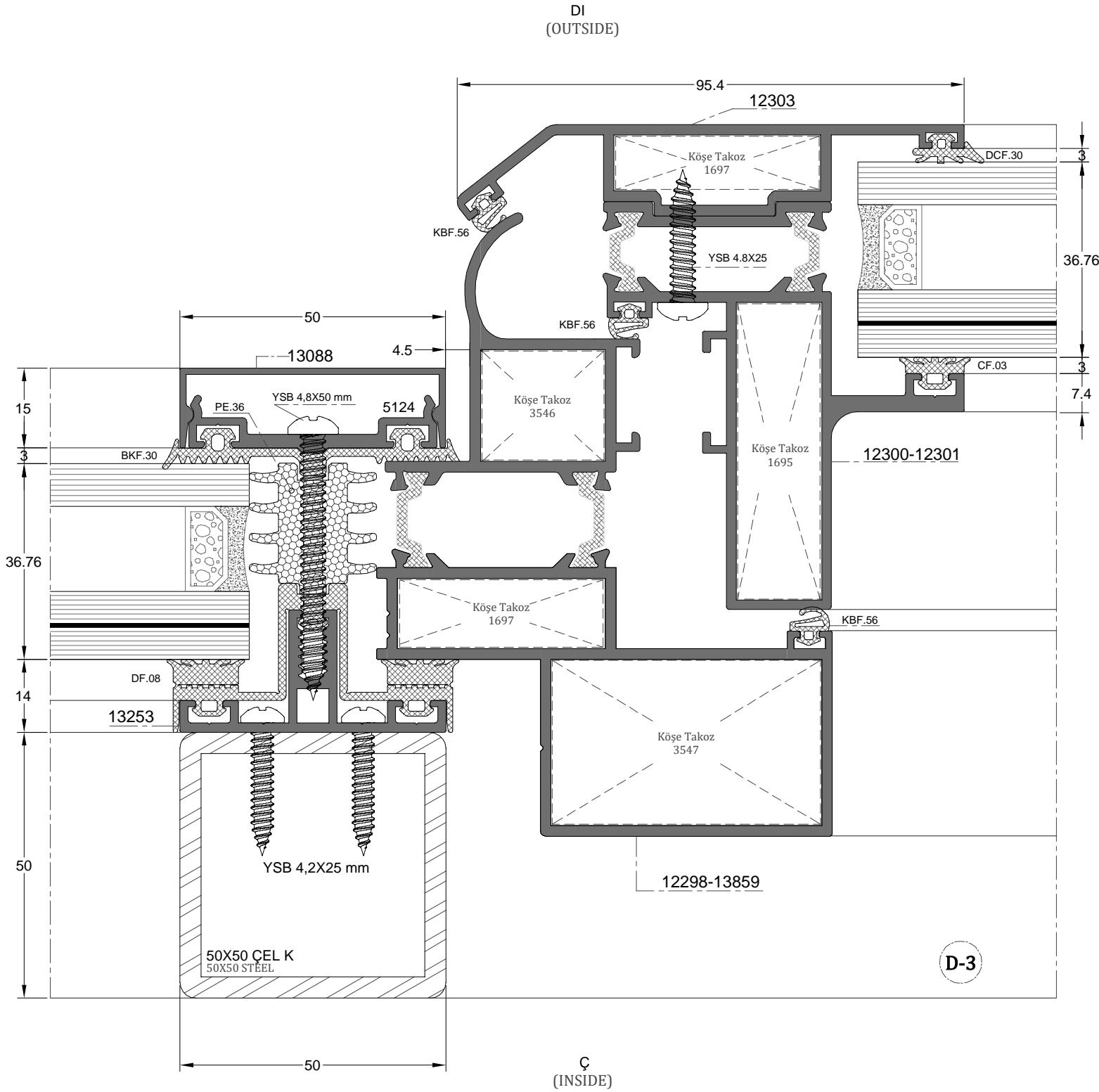
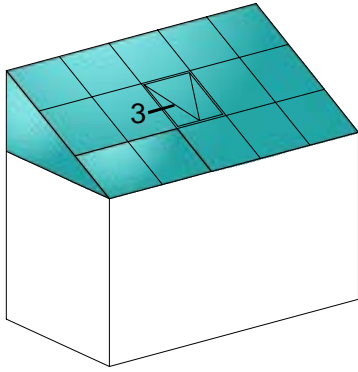


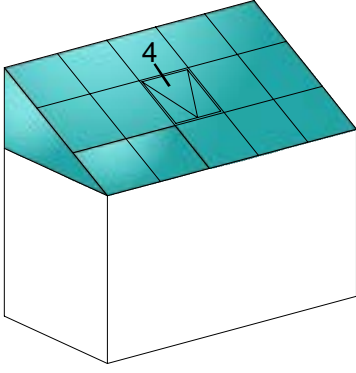
DI
(OUTSIDE)



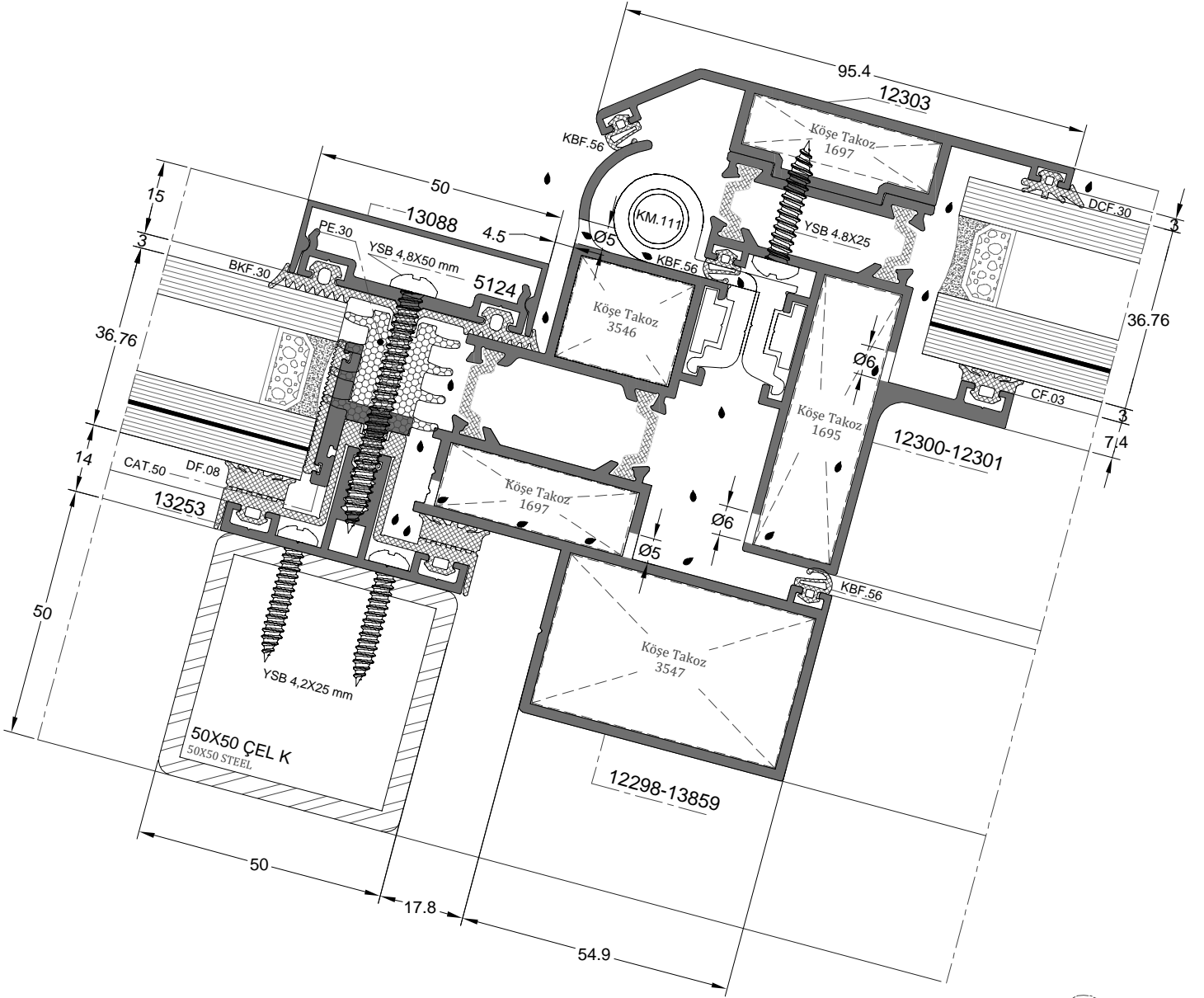
Ç
(INSIDE)

D-2





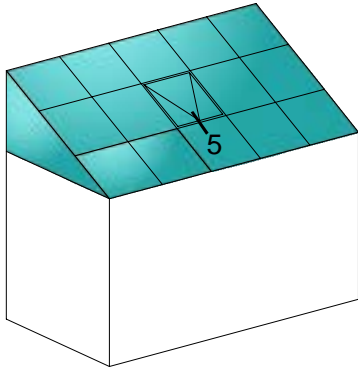
DI
(OUTSIDE)



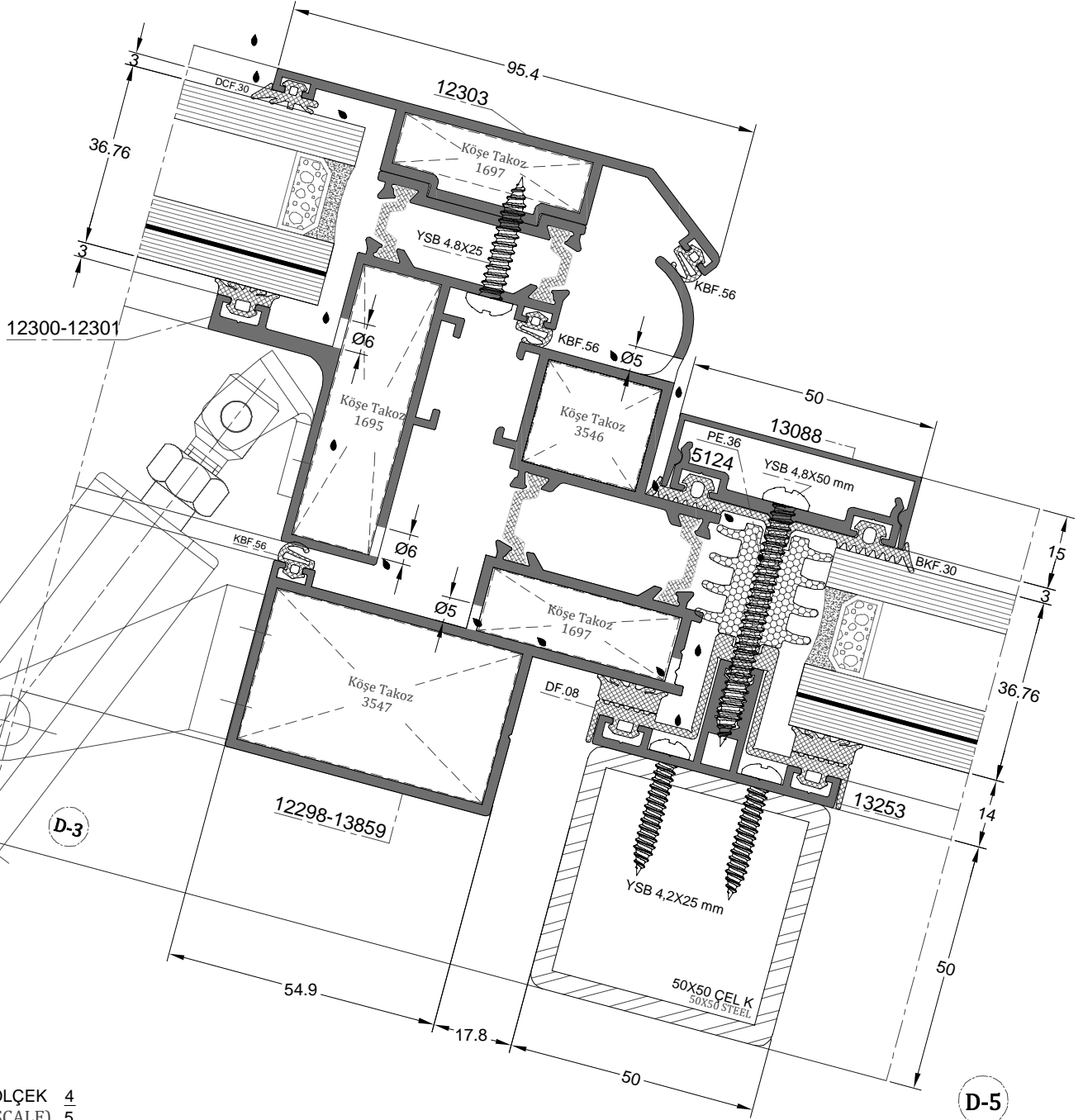
ÖLÇEK 4
(SCALE) 5

D-4

Ç
(INSIDE)

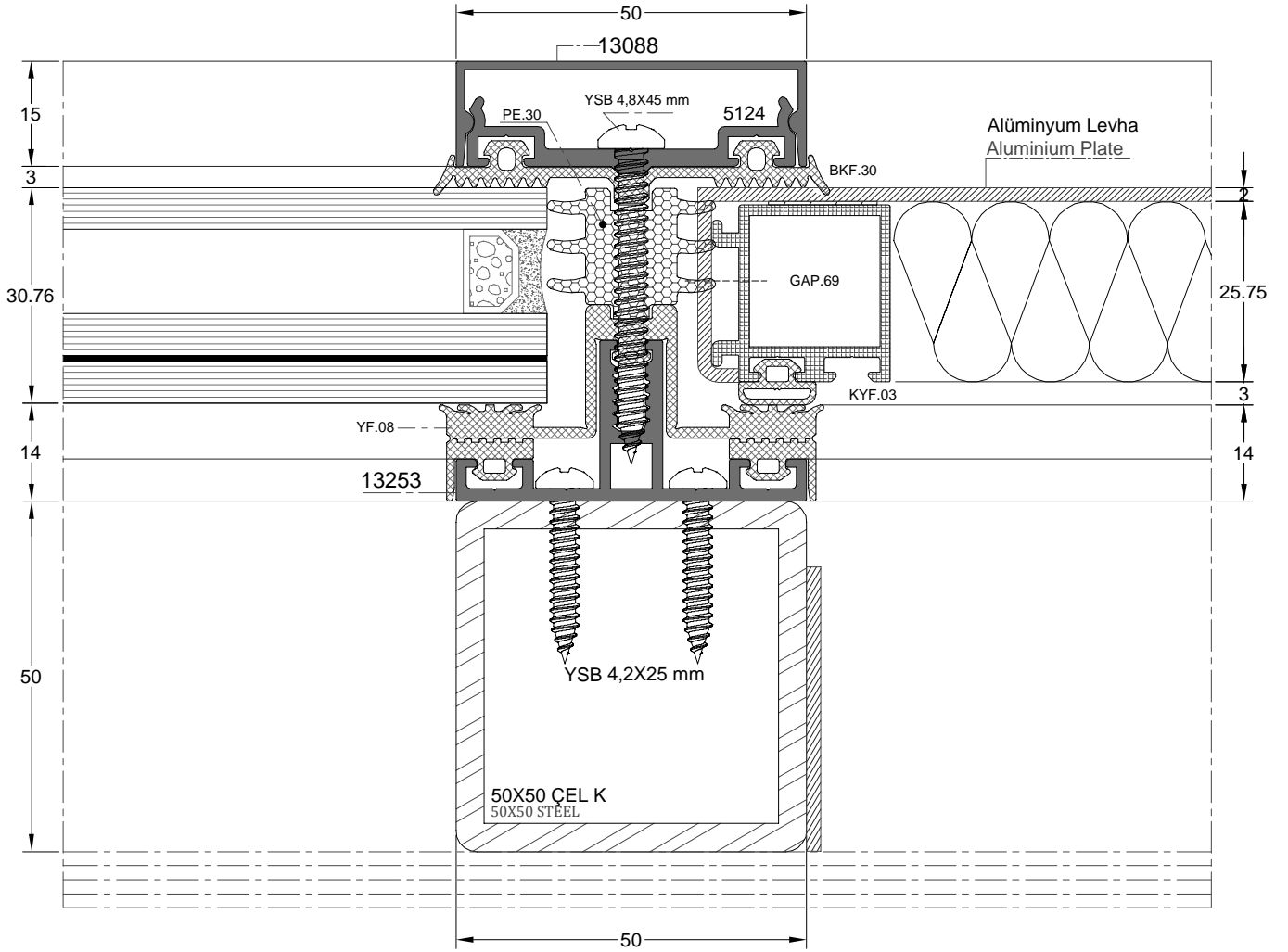
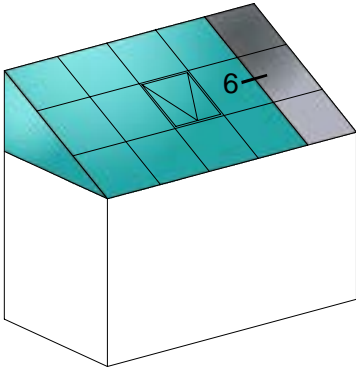


DI
(OUTSIDE)



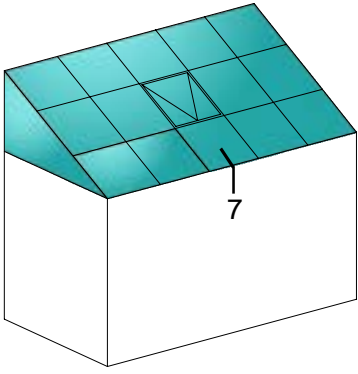
LEK 4
(SCALE) 5


(INSIDE)

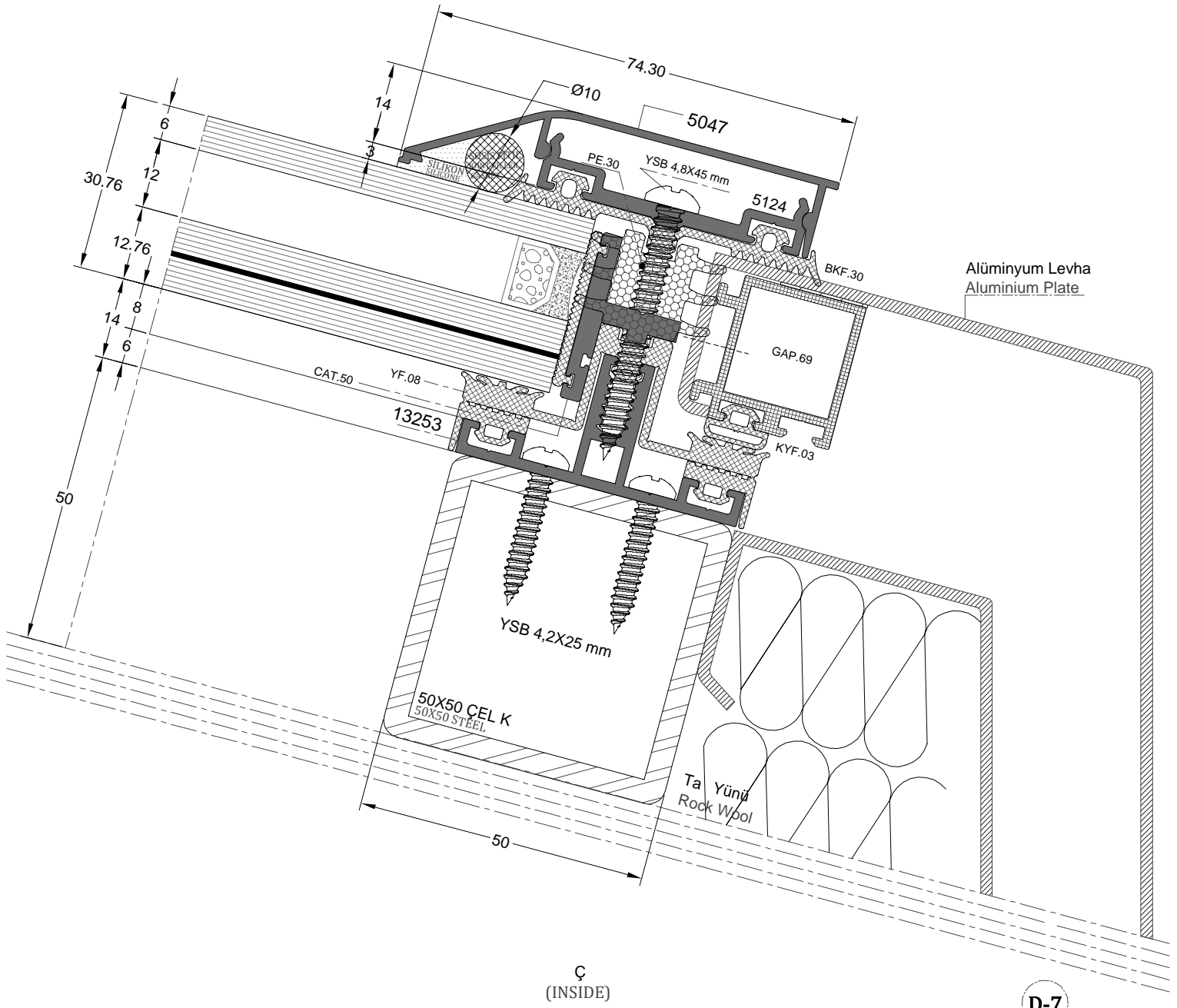


Ç
(INSIDE)

D-6

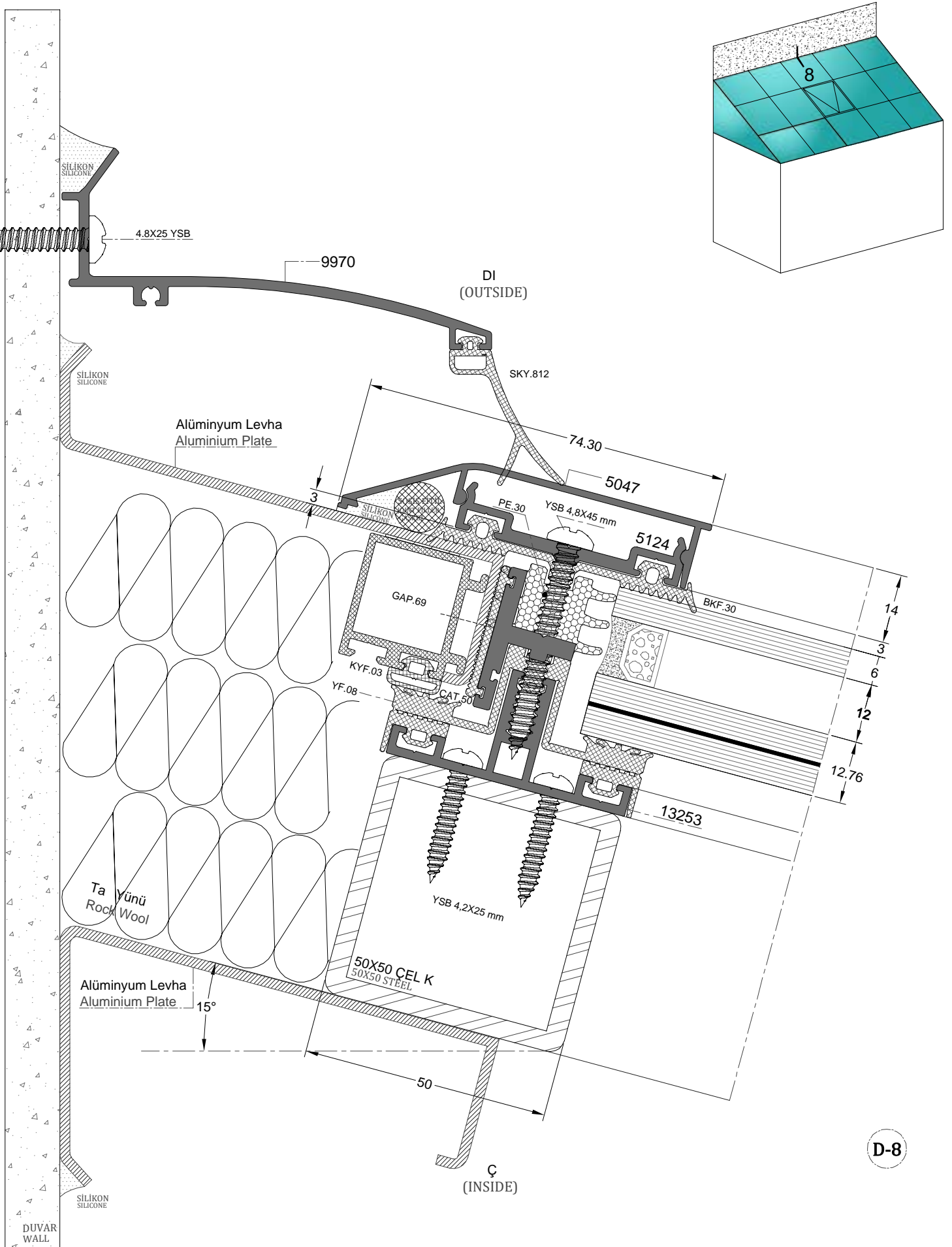


DI
(OUTSIDE)

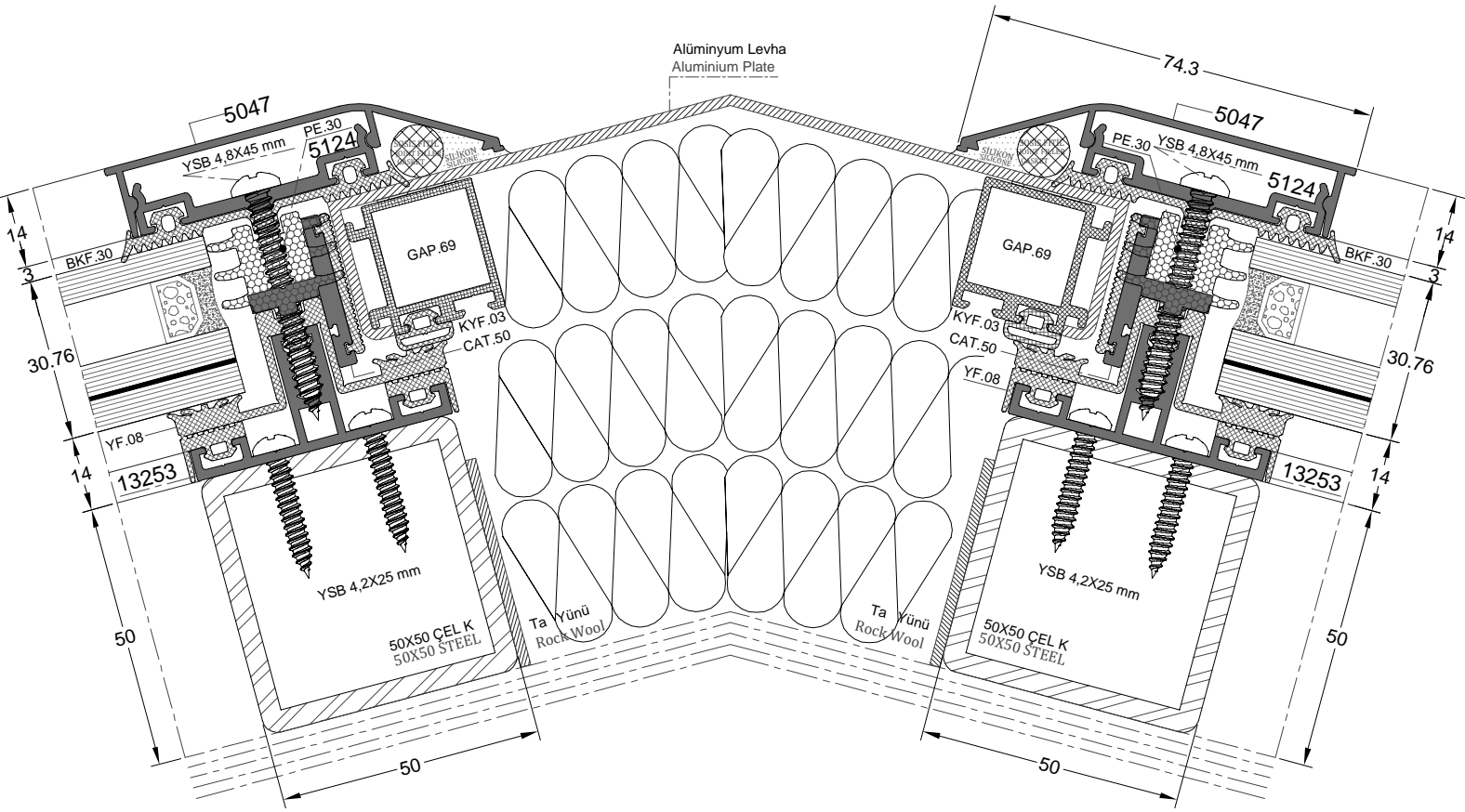
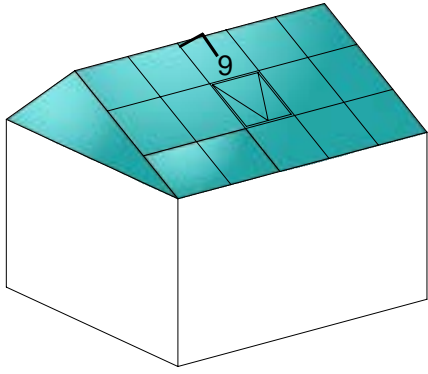


Ç
(INSIDE)

D-7



D-8



Ö:3/4
SC:3/4

D-9

SK50ECO IŐIKLIK SİSTEMİ MONTAJ TALİMATLARI

SK50ECO

SKYLIGHT SYSTEM

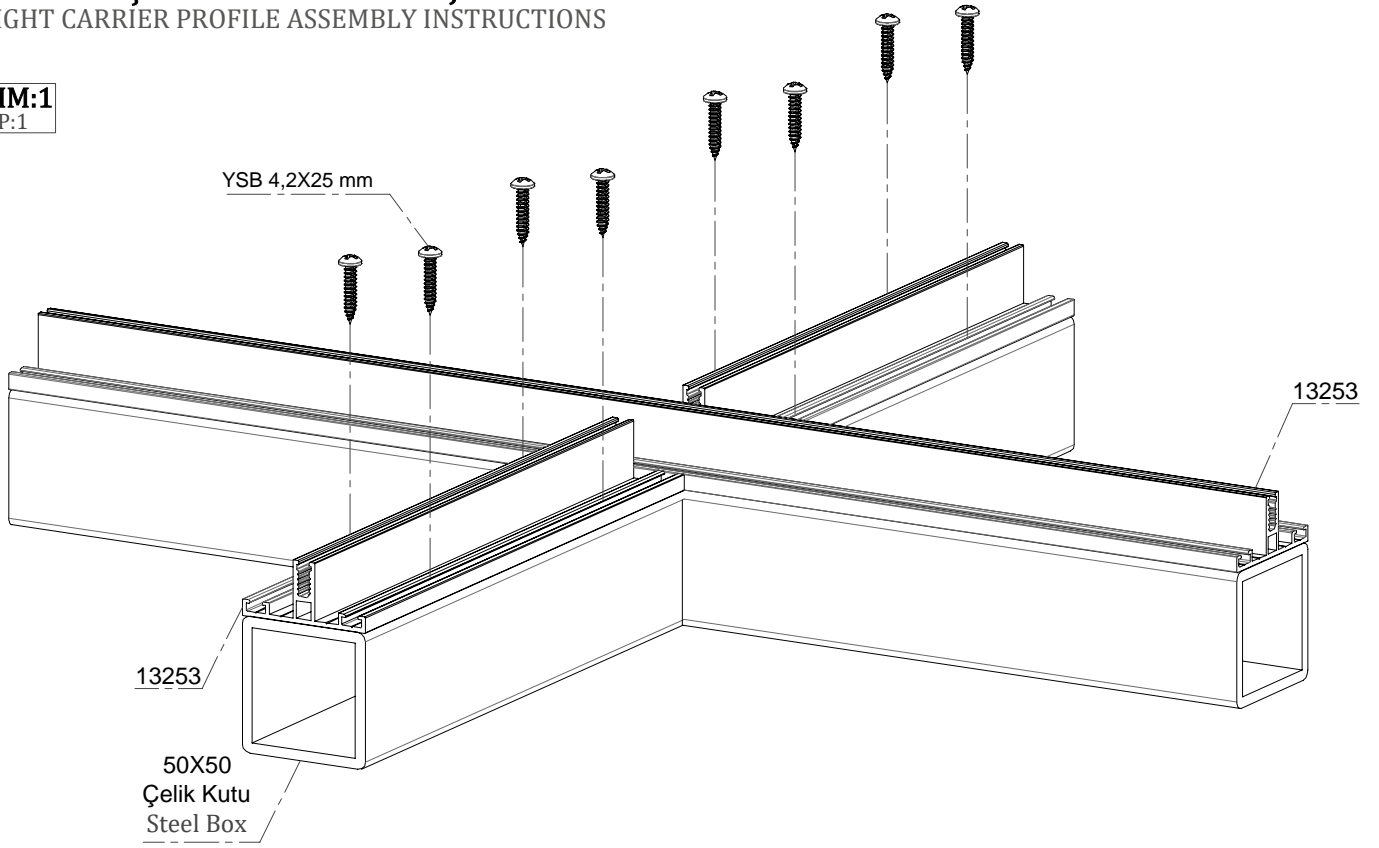
ASSEMBLY

INSTRUCTIONS

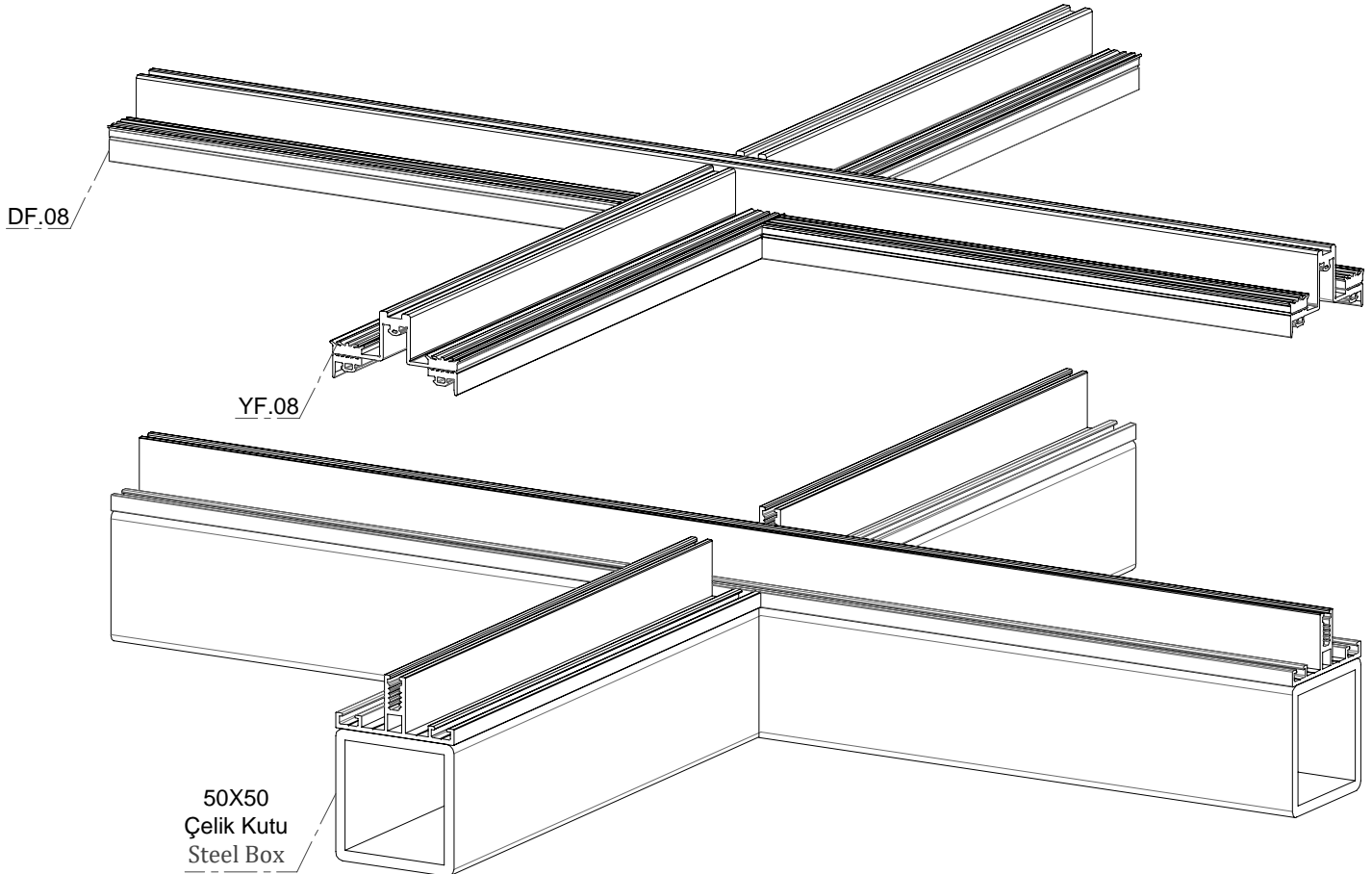


SKYLIGHT TAŞIYICI PROFİL MONTAJ TALİMATLARI
SKYLIGHT CARRIER PROFILE ASSEMBLY INSTRUCTIONS

ADIM:1
STEP:1

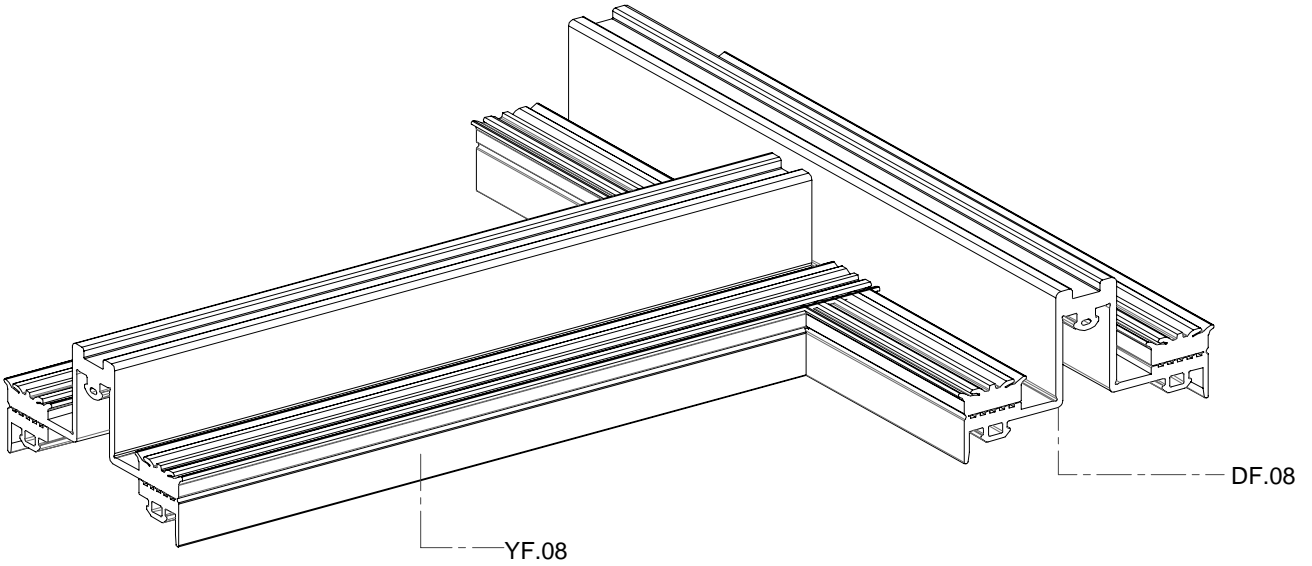
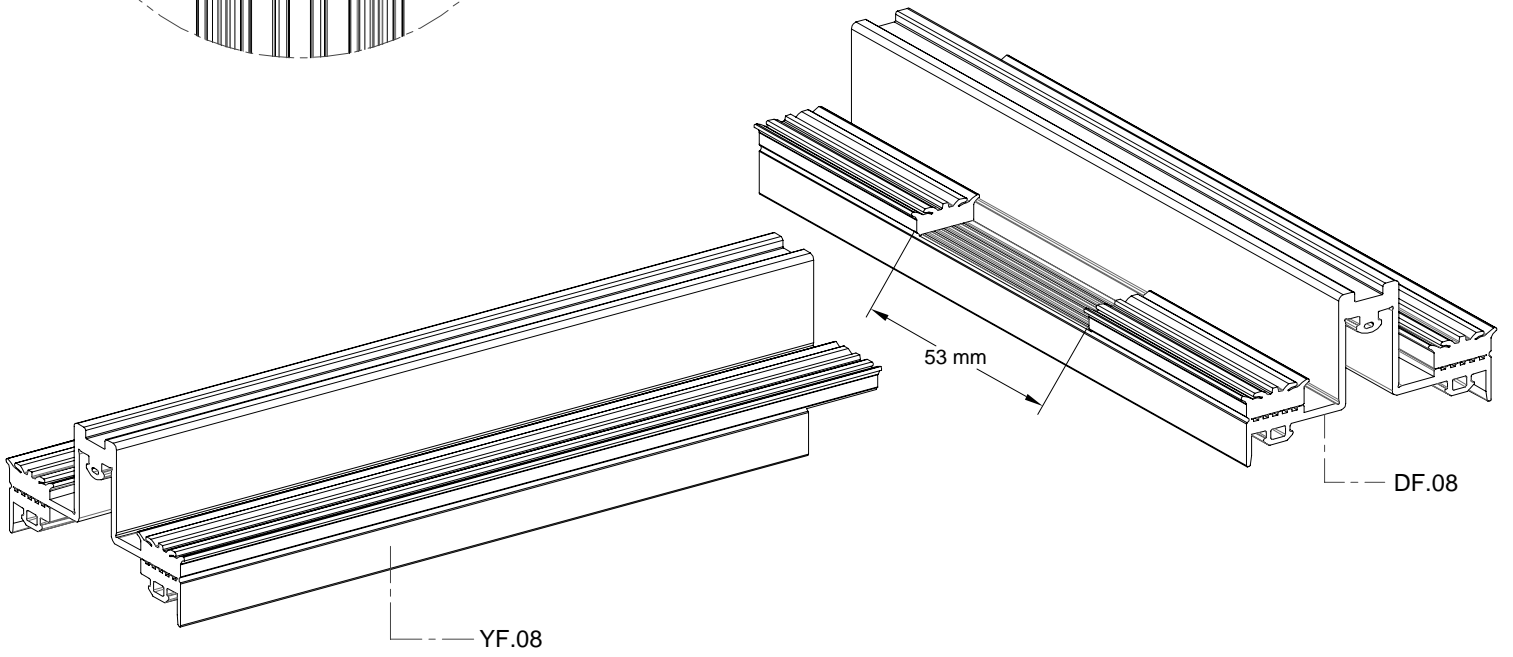
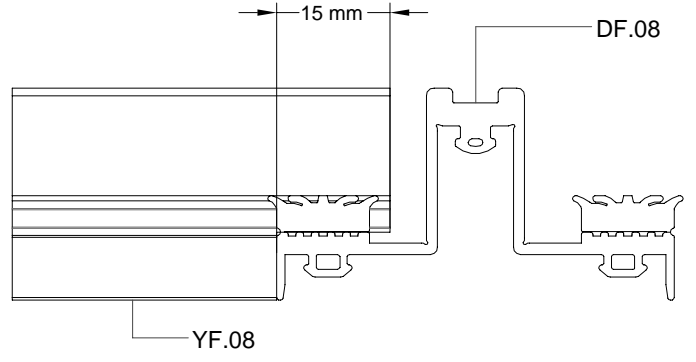
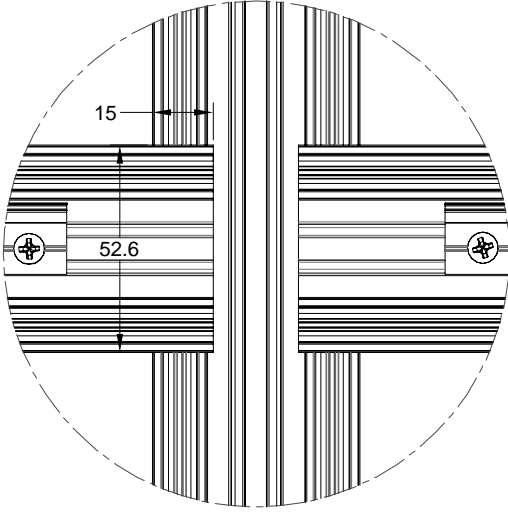


ADIM:2
STEP:2



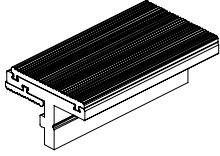


DÜŞEY VE YATAY CONTA KERTME ÖLÇÜLERİ VERTICAL AND HORIZONTAL GASKET DIMENSIONS



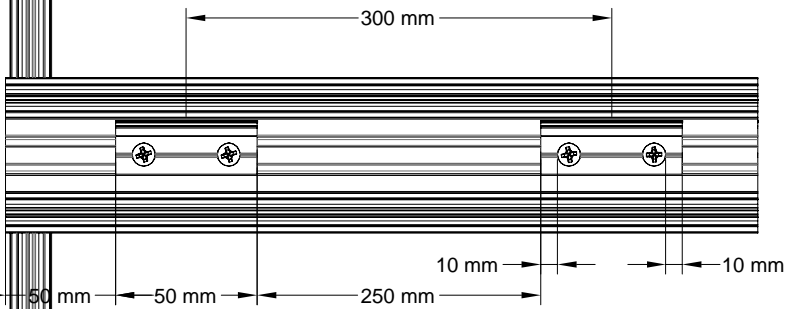
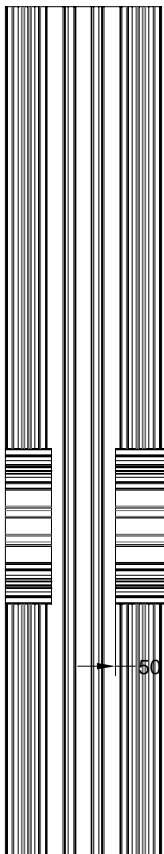
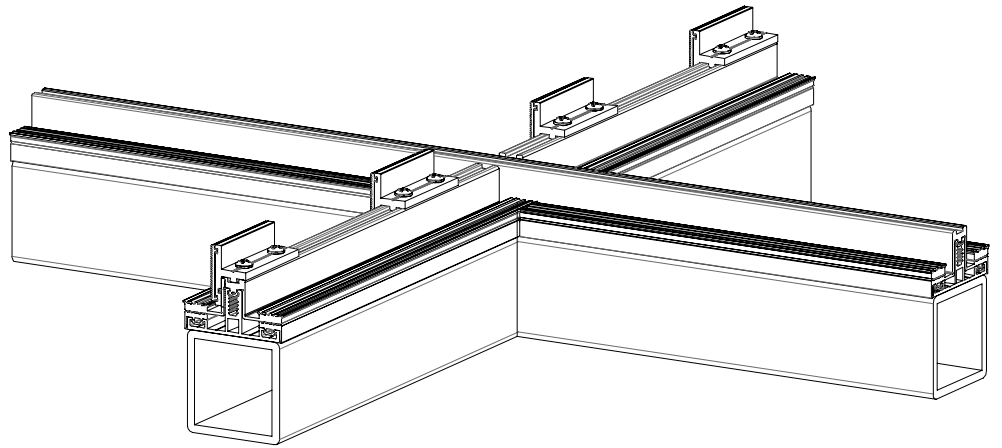
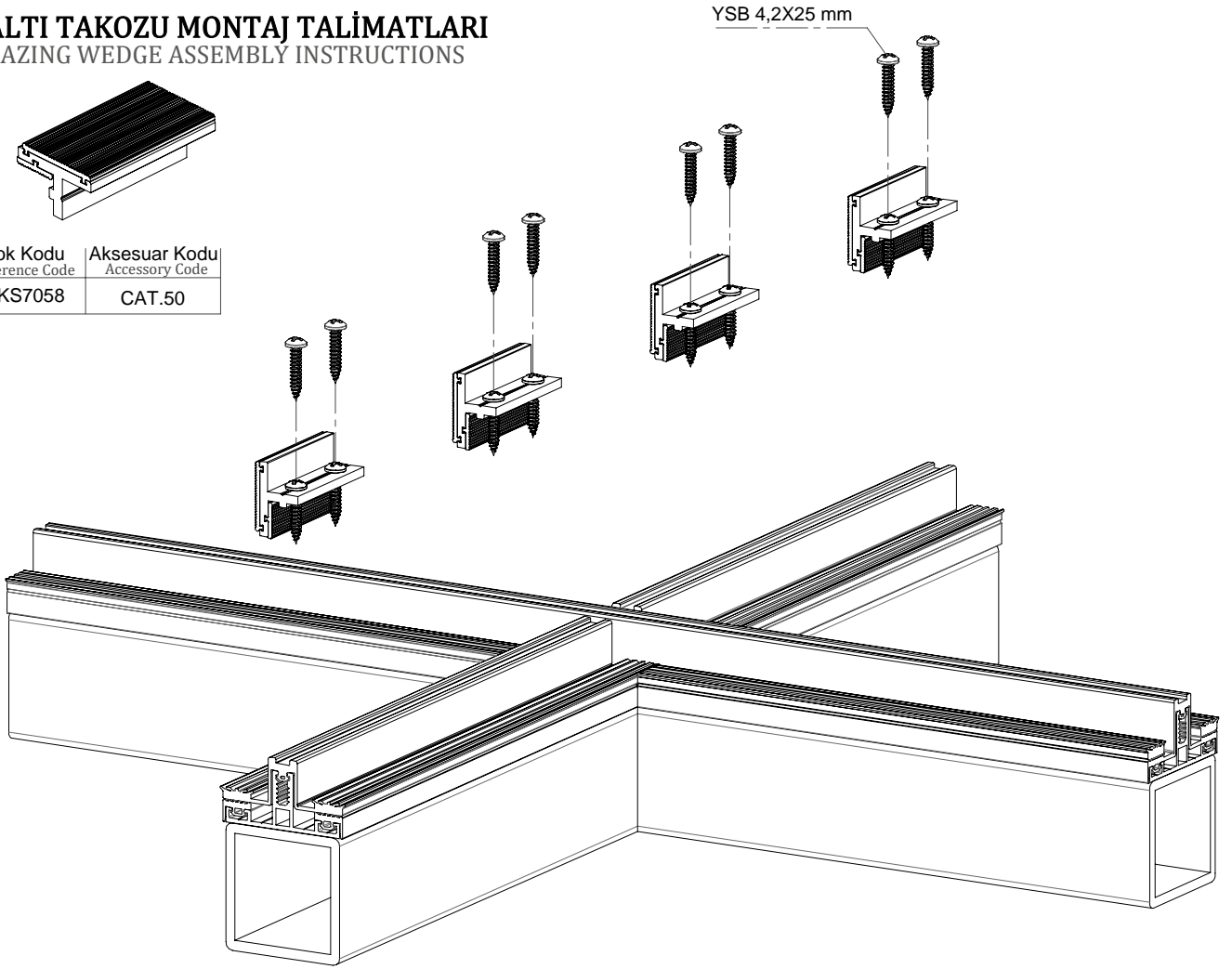


CAM ALTI TAKOZU MONTAJ TALİMATLARI
SUB-GLAZING WEDGE ASSEMBLY INSTRUCTIONS



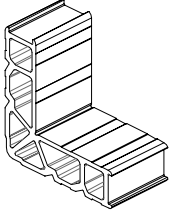
Stok Kodu Reference Code	Aksesuar Kodu Accessory Code
AKS7058	CAT.50

YSB 4,2X25 mm

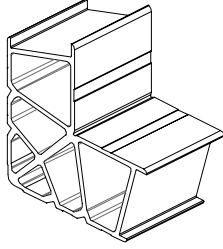




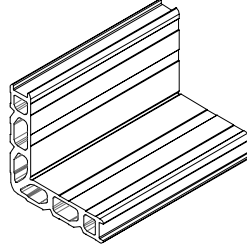
KULLANILAN KÖ Ğ E TAKOZ PROF LLER
USED CORNER WEDGE PROFILES



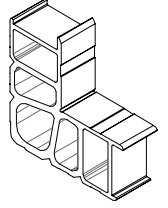
Profil Kodu PROFILE CODE	3546
Kullanıldı Ğ i Profil USED PROFILE	12298
Kesim Boyu (mm) CUTTING LENGTH (mm)	20,80 mm



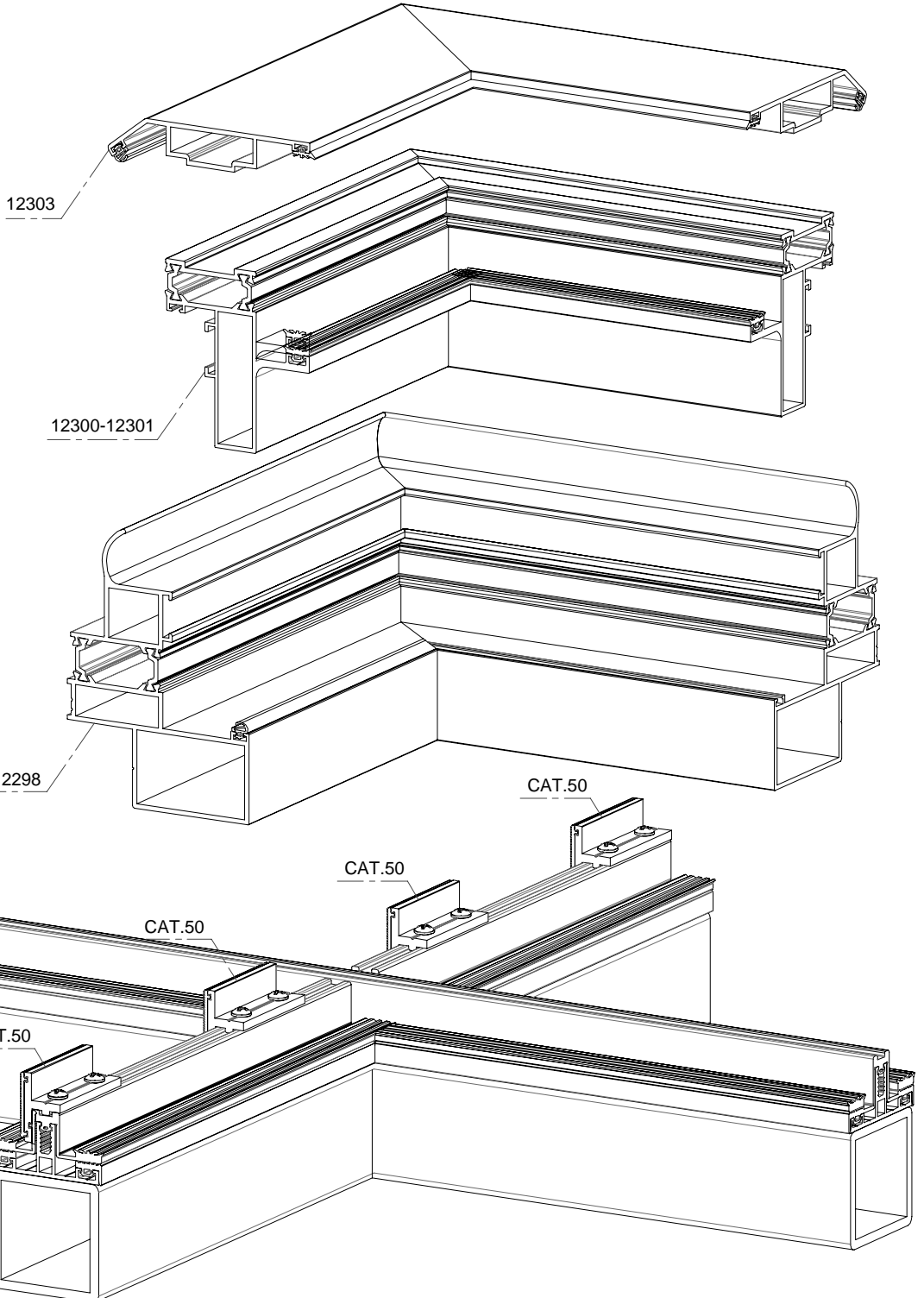
Profil Kodu PROFILE CODE	3547
Kullanıldı Ğ i Profil USED PROFILE	13859
Kesim Boyu (mm) CUTTING LENGTH (mm)	28,80 mm



Profil Kodu PROFILE CODE	1695
Kullanıldı Ğ i Profil USED PROFILE	12301
Kesim Boyu (mm) CUTTING LENGTH (mm)	55,40 mm

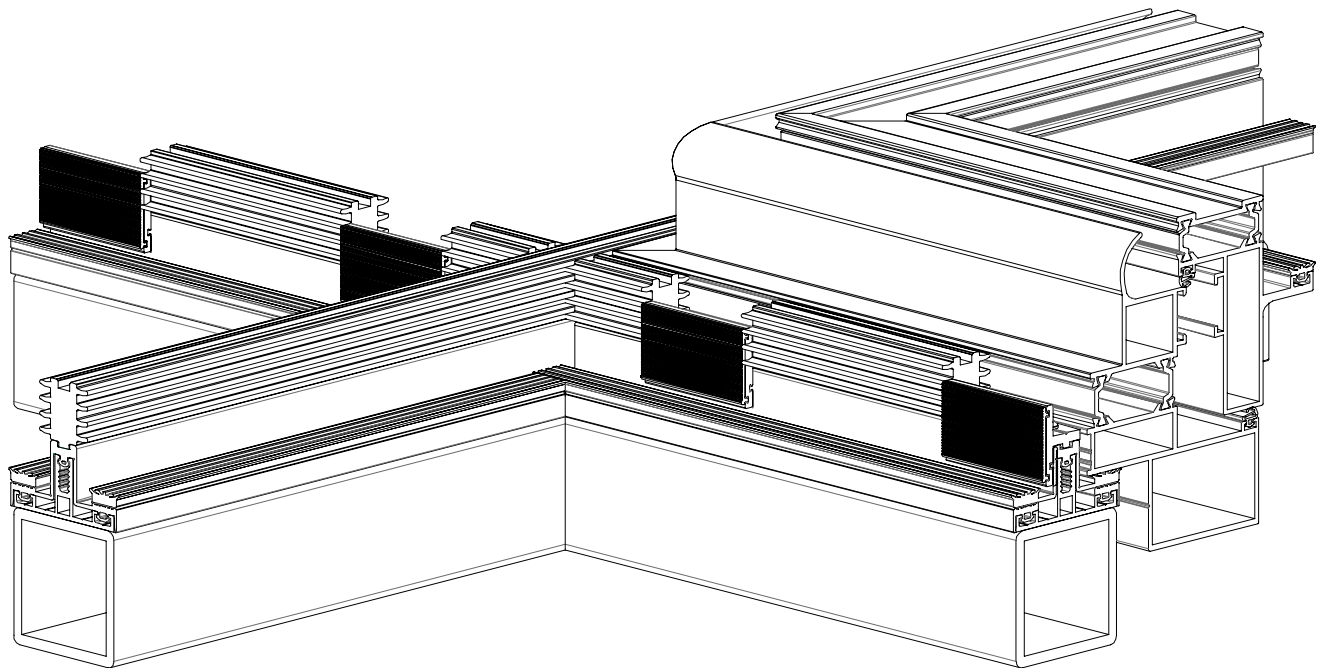
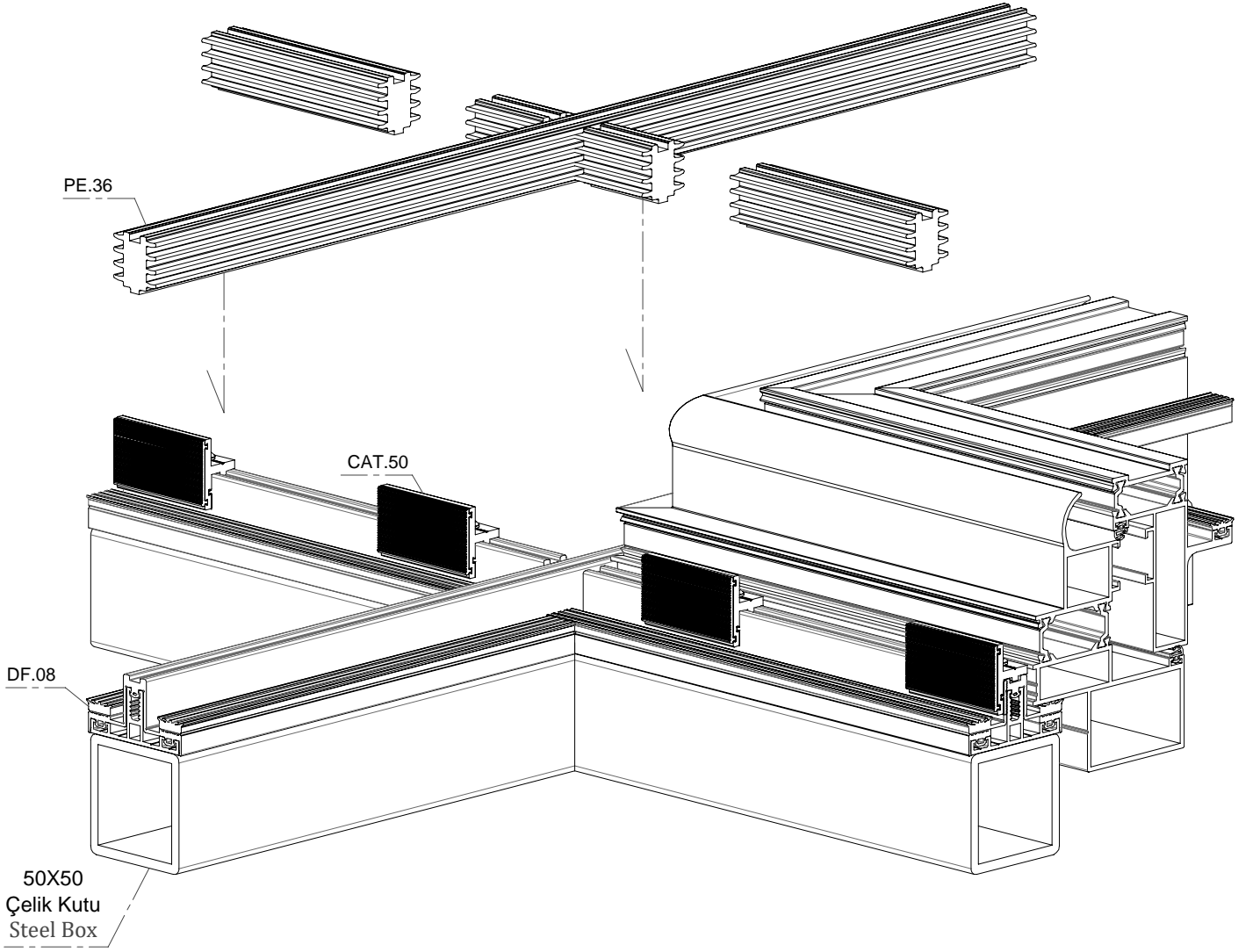


Profil Kodu PROFILE CODE	1697
Kullanıldı Ğ i Profil USED PROFILE	12303 -13859
Kesim Boyu (mm) CUTTING LENGTH (mm)	10,00 mm -12,70 mm





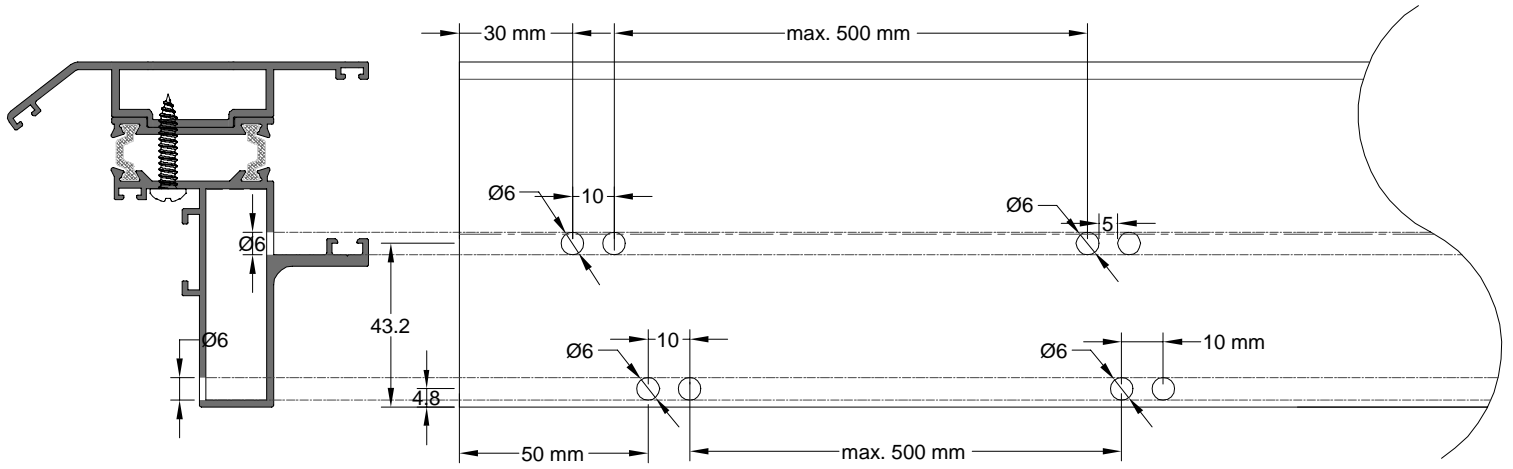
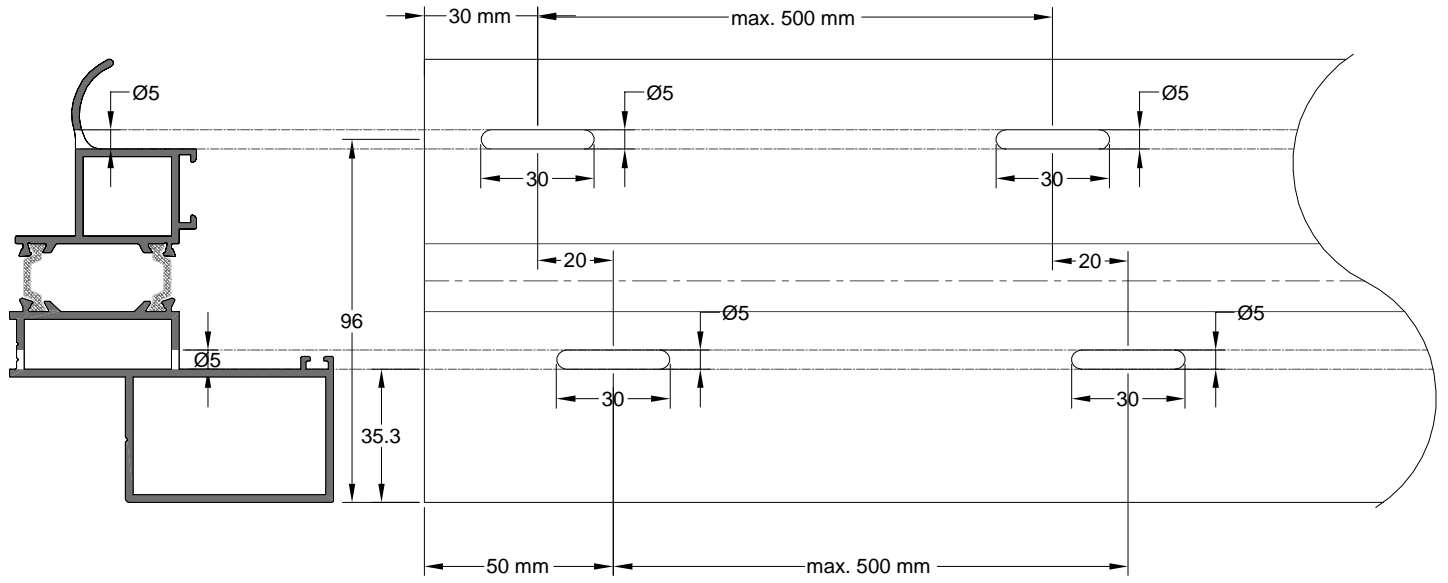
POLİETİLEN KÖPÜK MONTAJ TALİMATLARI
PE (POLYTHENE) FOAM ASSEMBLY INSTRUCTIONS





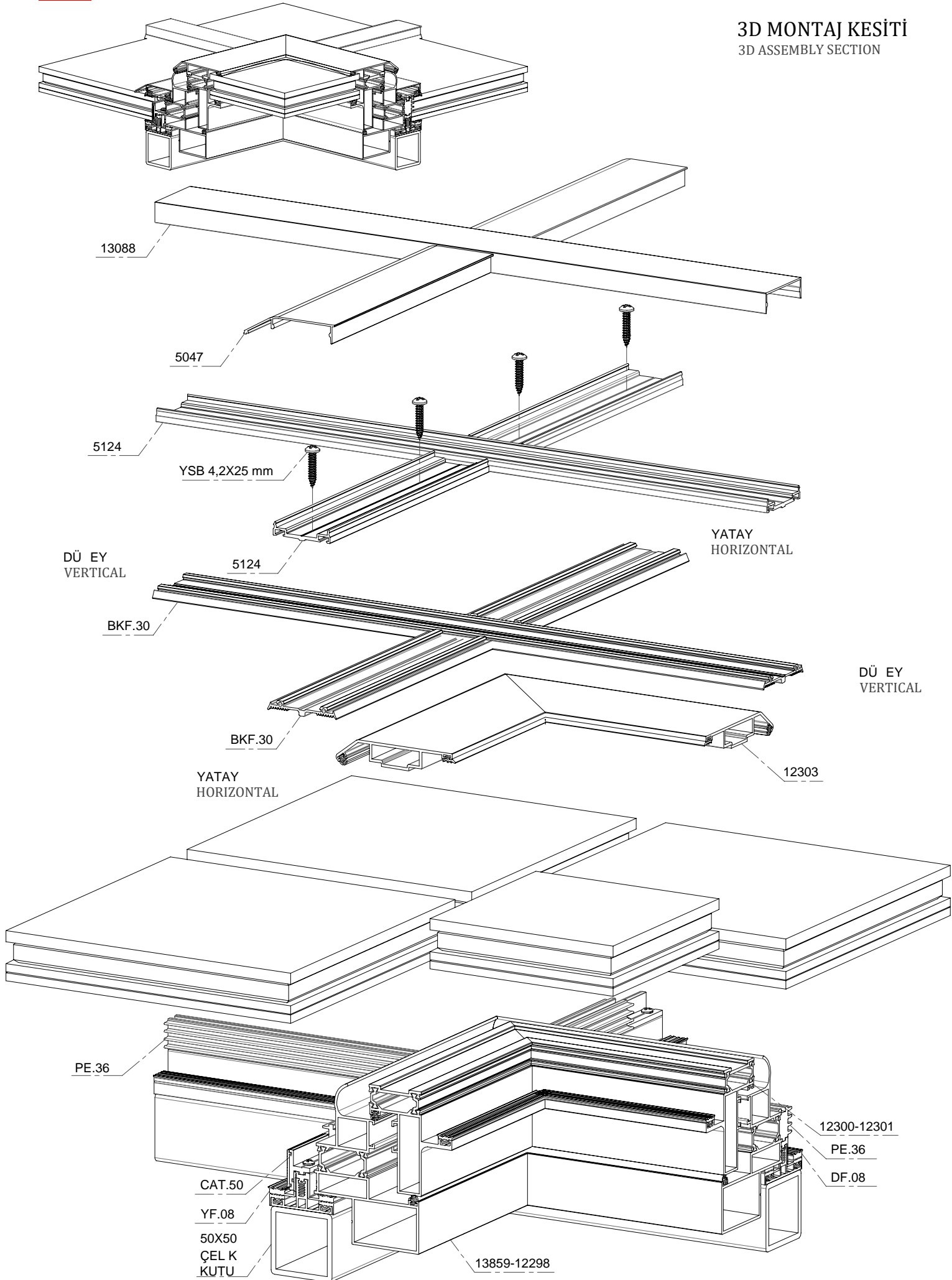
SU TAHLİYE DELİK İŞLEMLERİ

WATER DRAINAGE HOLE PHASE



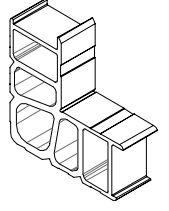
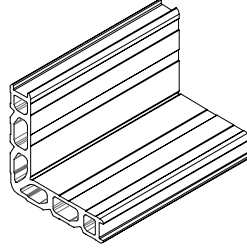
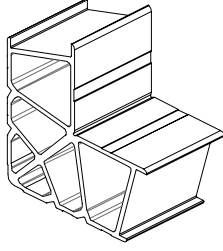
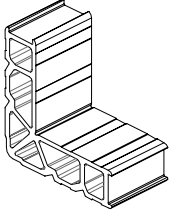


3D MONTAJ KESİTİ
3D ASSEMBLY SECTION





KULLANILAN KÖ Ğ E TAKOZ PROF LLER
USED CORNER WEDGE PROFILES



Profil Kodu PROFILE CODE	3546
Kullanıldı Ğ i Profil USED PROFILE	12298
Kesim Boyu (mm) CUTTING LENGTH (mm)	20,80 mm

Profil Kodu PROFILE CODE	3547
Kullanıldı Ğ i Profil USED PROFILE	13859
Kesim Boyu (mm) CUTTING LENGTH (mm)	28,80 mm

Profil Kodu PROFILE CODE	1695
Kullanıldı Ğ i Profil USED PROFILE	12301
Kesim Boyu (mm) CUTTING LENGTH (mm)	55,40 mm

Profil Kodu PROFILE CODE	1697
Kullanıldı Ğ i Profil USED PROFILE	12303 -13859
Kesim Boyu (mm) CUTTING LENGTH (mm)	10,00 mm -12,70 mm

